

CHANGING THE WORLD THROUGH INNOVATED IDEAS



comfortex.com.tr



Cer No:01/13827/01-1
Production, Sales and
Export of Glass
Products for Constructions



Cer No:01/13827/01-1
Design, Production, Sales and
Export of Aluminium Profiles



Dear Valued Clients,

We are pleased to introduce Comfortex Holding as your esteemed and dependable solution partner, with a notable track record spanning 20 years in the sector. Our steadfast commitment to serving you and ensuring a renewable and sustainable future has been the driving force behind our success.

At Comfortex Holding, we consistently strive for excellence, placing significant emphasis on valuing nature, envisioning the future, and fostering innovation. Our extensive range of practical solutions caters to the energy needs of individuals not only within Europe and Turkey but also globally. We take great pride in presenting our distinguished assembly series, a European design patent that guarantees the highest quality standards, meticulously crafted by our team of solar energy system specialists.

Furthermore, we are pleased to announce our official distributorship of JA Solar, a globally renowned leader in panel manufacturing. This strategic collaboration empowers us to take even more confident strides towards a promising future.

Rest assured, our unwavering commitment to delivering exceptional quality and impeccable service in the energy sector remains steadfast. As we continue to embrace the sun as a beacon of hope for the future, we invite you to embark on this journey with Comfortex, where trust and experience converge.

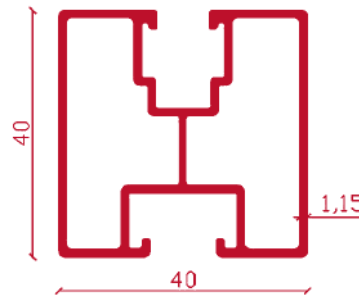
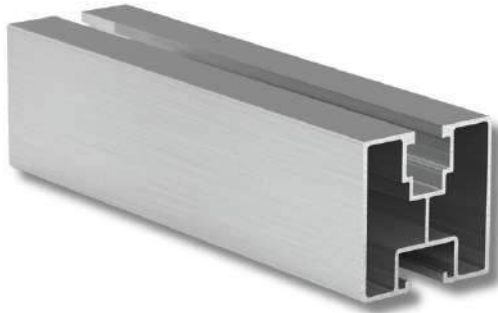
We sincerely appreciate your continued support.

Warm regards,

**We manufacture
and support
solar energy
systems.**

S Series





CFT-51222

CODE

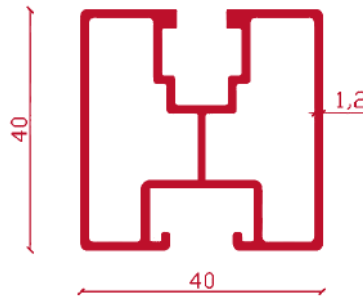
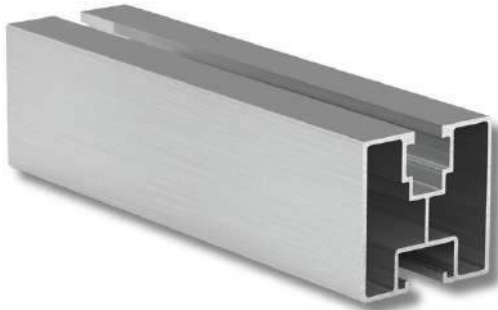
SS4040UH-00

COLOR

Mill Finished
Anodized
Ral

DESCRIPTION

Ses "S" Series, Al. Profile 40x40mm, Small, Under Connection With Screw M10h.



CFT-8992

CODE

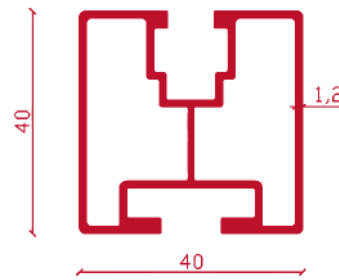
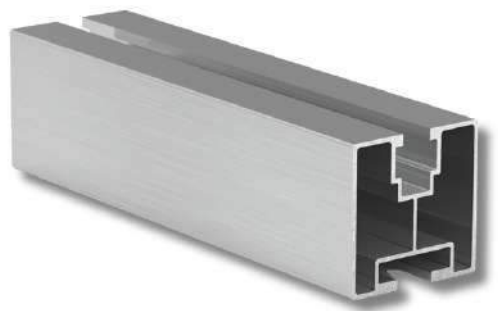
S4040UH-00

COLOR

Mill Finished Anodized
Ral

DESCRIPTION

Ses "S" Series, Al. Profile 40x40mm, Under Connection With Screw M10h.



CFT- 8998

CODE

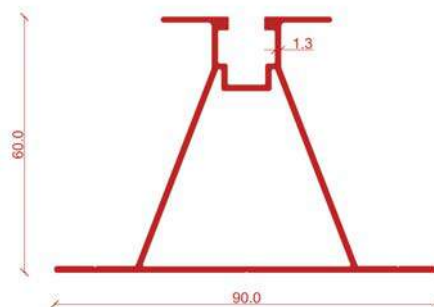
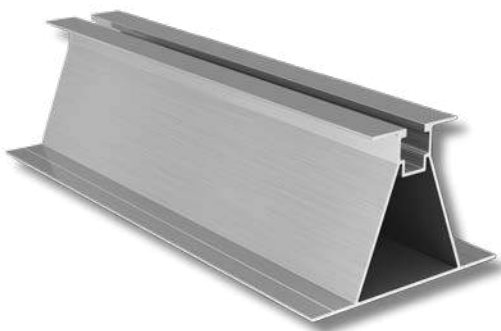
S4040UT-00

COLOR

Mill Finished Anodized
Ral

DESCRIPTION

Ses "S" Series, Al. Profile 40x40mm, Under Connection With Screw M10t.



CFT-51266

CODE

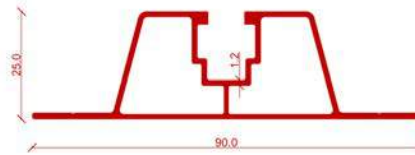
ES4060W-00

COLOR

Mill Finished
Anodized
Ral

DESCRIPTION

Ses "S" Series, Eco Mini Rail Al. Profile 40x60mm, With Wings.

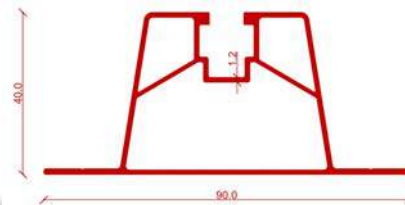

CFT-30114
CODE

S4025W-00

COLOR

 Mill Finished
 Anodized
 Ral

DESCRIPTION

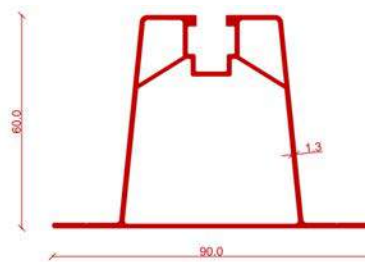
 Ses "S" Series, Mini Rail
 Al. Profile 40x25mm, With
 Wings.

CFT-30115
CODE

S4040W-00

COLOR

 Mill Finished
 Anodized
 Ral

DESCRIPTION

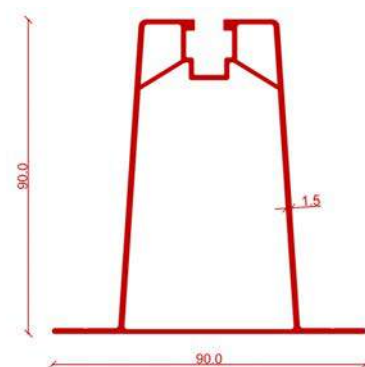
 Ses "S" Series, Mini Rail Al.
 Profile 40x40mm, With
 Wings.

CFT-30116
CODE

S4060W-00

COLOR

 Mill Finished
 Anodized
 Ral

DESCRIPTION

 Ses "S" Series, Mini Rail
 Al. Profile 40x60mm, With
 Wings.

CFT-30117
CODE

S4090W-00

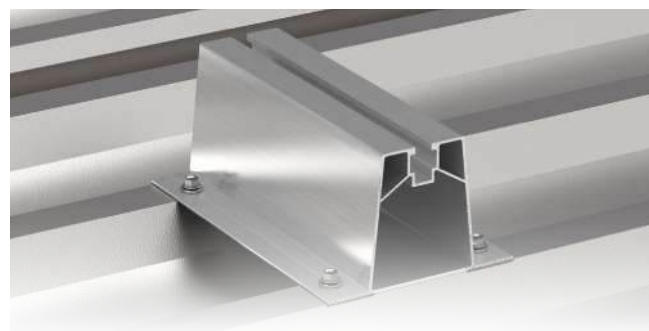
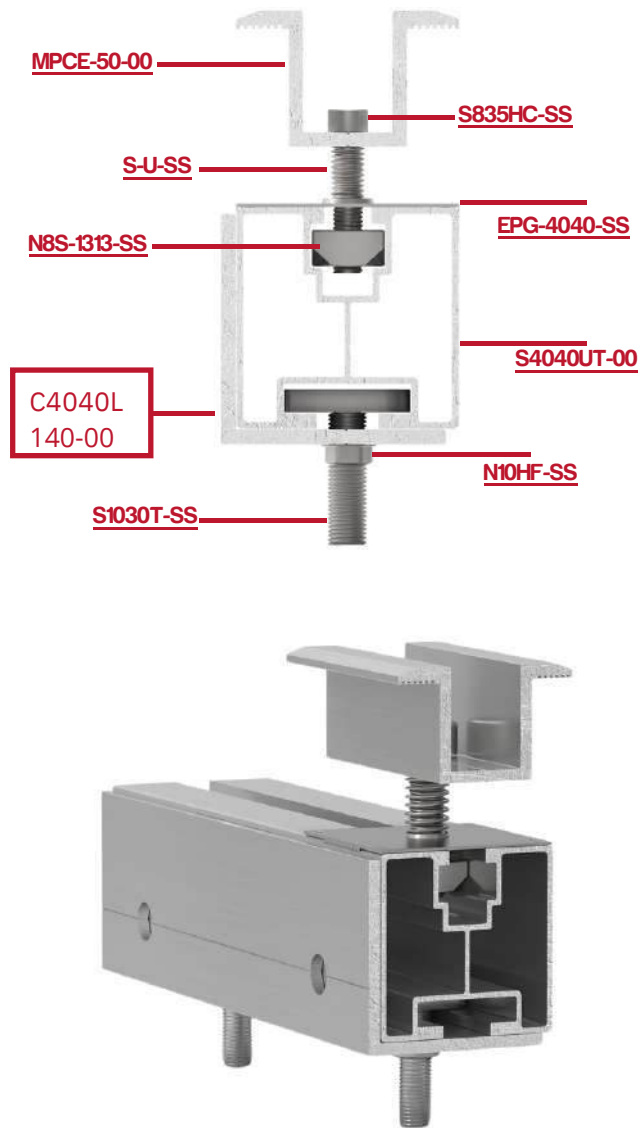
COLOR

 Mill Finished
 Anodized
 Ral

DESCRIPTION

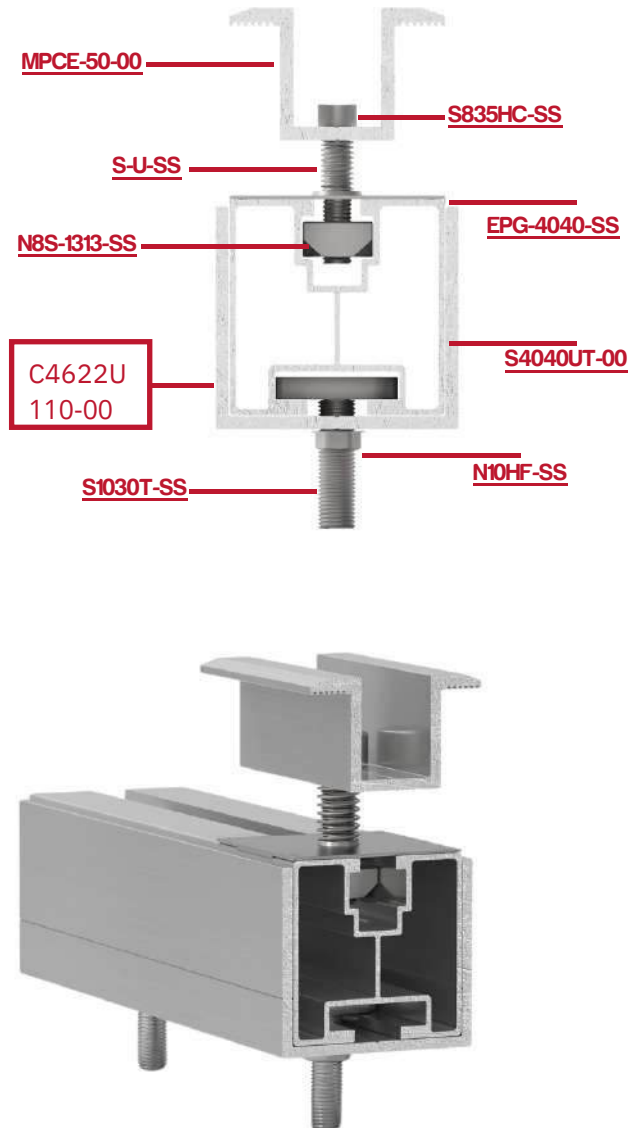
 Ses "S" Series, Mini Rail
 Al. Profile 40x90mm, With
 Wings.

'S' SERIES PROFILE ASSEMBLY WITH CONNECTION TYPE 'L' - SECTION



■ "S" Series Mini Rail For Sandwich Panel

SERIES PROFILE ASSEMBLY WITH CONNECTION TYPE 'U' - SECTION

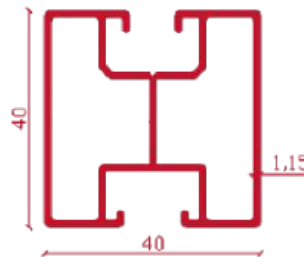


■ "S" Series Mini Rail With Epdm For Sandwich Panel

R Series



Redefining market expectations for standard series with the Comfortex touch. Including Roll-in T or Square nuts, T-bolt secured, Hexagon screw secured, EPDM secured Mini-rails for Sandwich panel roofs, Angle 'L - U', and C2275T auxiliary connection profiles.



CFT-30124

CODE

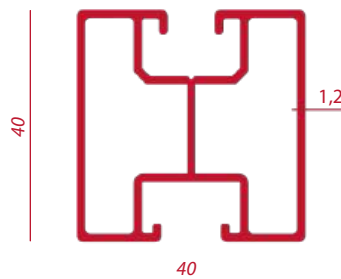
RRS4040UH-00

COLOR

Mill Finished Anodized
Ral

DESCRIPTION

Ses "R" Series, Al. Profile 40x40mm, Extra Reinforcement, Under Connection With Screw M10h.



CFT-9026

CODE

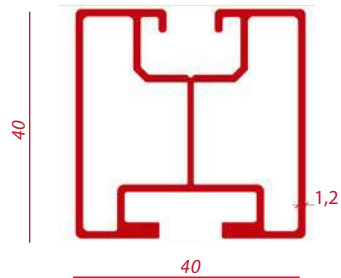
RR4040UH-00

COLOR

Mill Finished Anodized
Ral

DESCRIPTION

Ses "R" Series, Al. Profile 40x40mm, Extra Reinforcement, Under Connection With Screw M10h.



CFT-9027

CODE

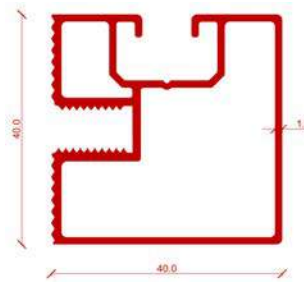
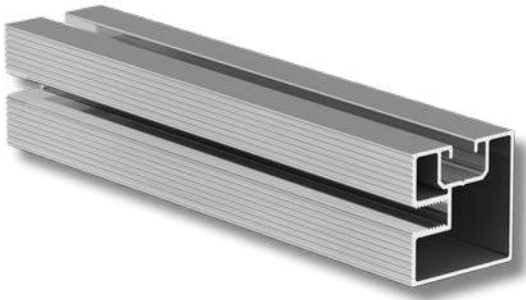
RR4040UT-00

COLOR

Mill Finished Anodized
Ral

DESCRIPTION

Ses "R" Series, Al. Profile 40x40mm, Extra Reinforcement, Under Connection With Screw M10t.

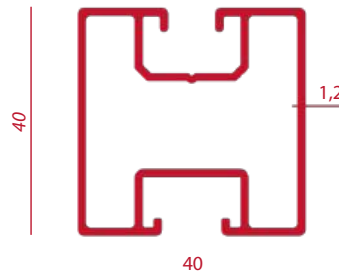
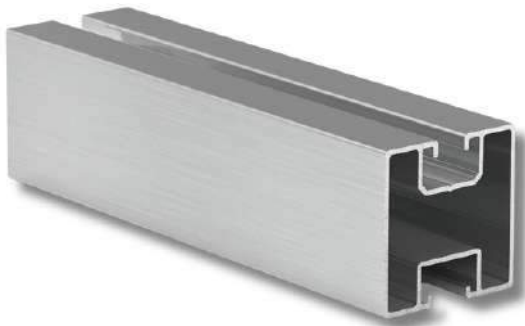

CFT-9652
CODE

XXXXX

COLOR

 Mill Finished
 Anodized
 Ral

DESCRIPTION

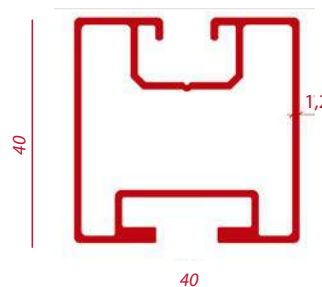
 Ses "R" Series, Al. Profile
 40x40mm, Under
 Connection With Screw
 M10h.

CFT-30123
CODE

R4040UH-00

COLOR

 Mill Finished Anodized
 Ral

DESCRIPTION

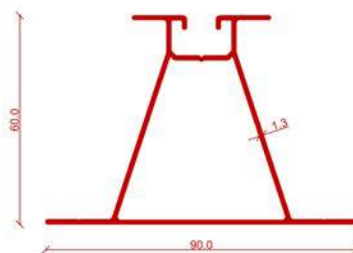
 Ses "R" Series, Al. Profile
 40x40mm, Under
 Connection With Screw
 M10h.

CFT-9003
CODE

R4040UDT-00

COLOR

 Mill Finished Anodized
 Ral

DESCRIPTION

 Ses "R" Series, Al. Profile
 40x40mm, Under
 Connection With Screw
 M10t.

CFT-30122
CODE

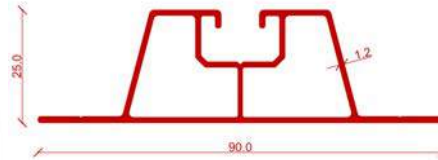
XXXXX

COLOR

 Mill Finished
 Anodized
 Ral

DESCRIPTION

 Ses "R" Series, Al. Profile
 40x60mm, Under
 Connection With Screw
 M10h.



CFT- 30118

CODE

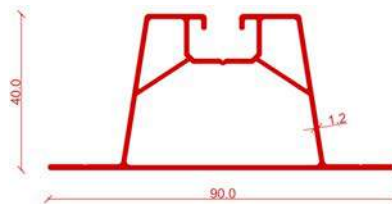
R4025W-00

COLOR

Mill Finished Anodized
Ral

DESCRIPTION

Ses "S" Series, Mini Rail Al.
Profile 40x25mm, With
Wings.



CFT-30119

CODE

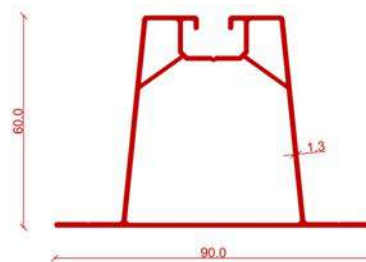
R4040W-00

COLOR

Mill Finished
Anodized
Ral

DESCRIPTION

Ses "S" Series, Mini Rail Al.
Profile 40x40mm, With
Wings.



CFT-30120

CODE

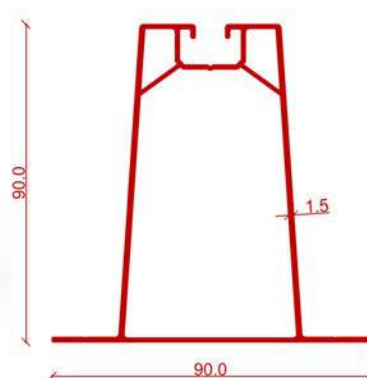
R4060W-00

COLOR

Mill Finished Anodized
Ral

DESCRIPTION

Ses "S" Series, Mini Rail Al.
Profile 40x60mm, With
Wings.



CFT-30121

CODE

R4090W-00

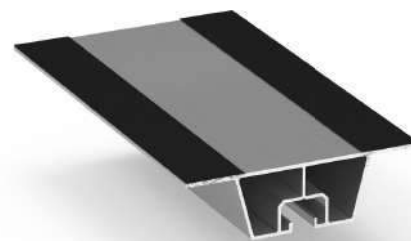
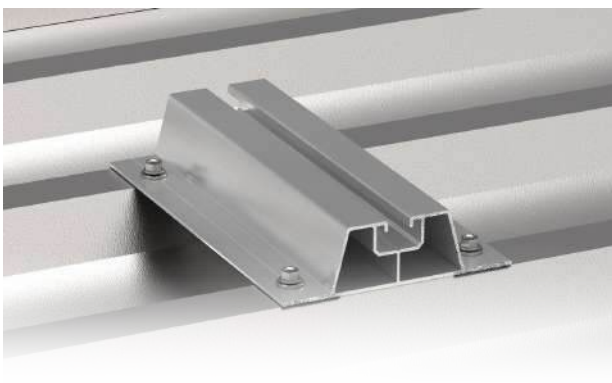
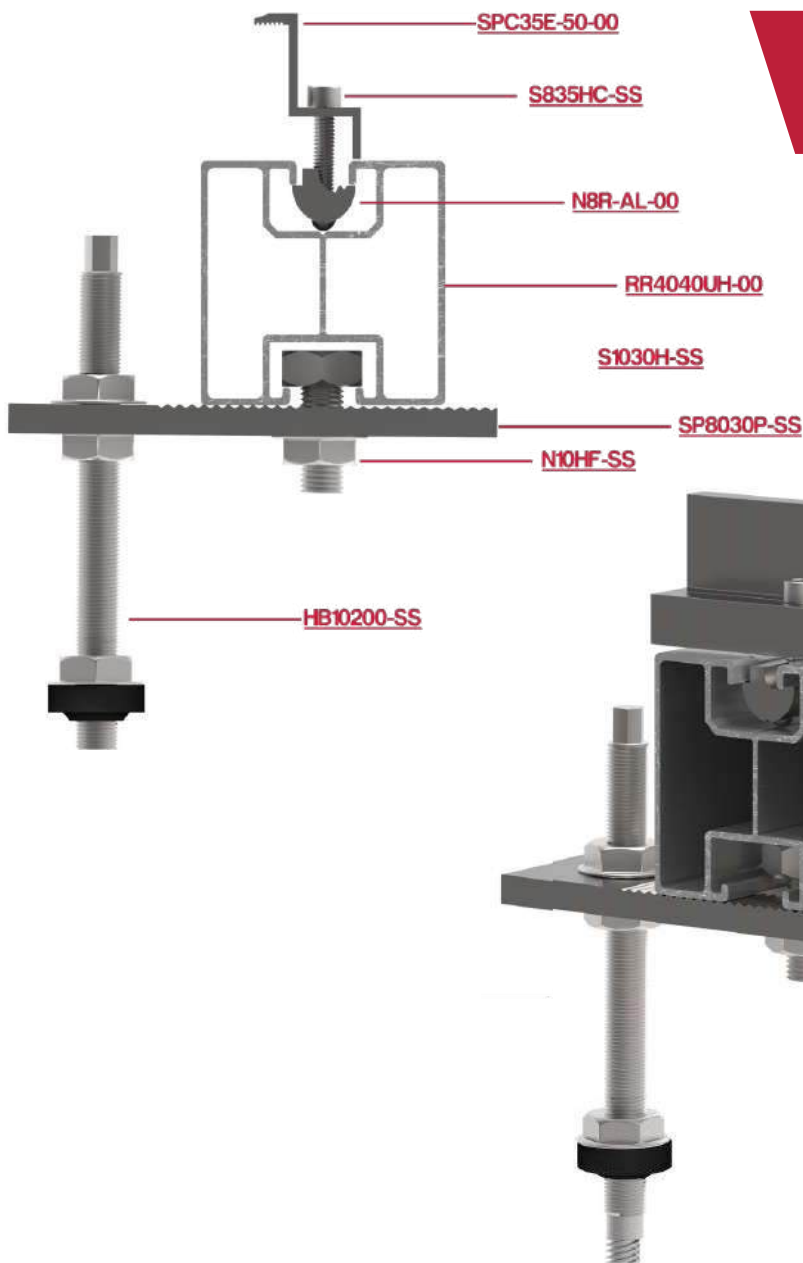
COLOR

Mill Finished Anodized
Ral

DESCRIPTION

Ses "S" Series, Mini Rail Al.
Profile 40x90mm, With
Wings.

**'R' SERIES PROFILE ASSEMBLE WITH
HANGER BOLT AND SUPPORT
TYPE 'P' - SECTION**



■ "R" Series Mini Rail For Sandwich Panel

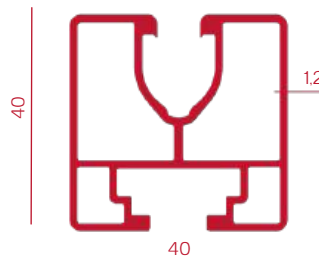
■ "R" Series Mini Rail With Epdm For Sandwich Panel

We manufacture
and support
solar energy
systems.

U Series



The hybrid model of R and S series: Seamlessly integrate all options in a single profile. Side Connection option, Roll-in T or Square nuts, T-bolt or Hexagon screw secured, EPDM secured Minirails for Sandwich panels roofs, Angle 'L' and 'U' connection auxiliary profiles.

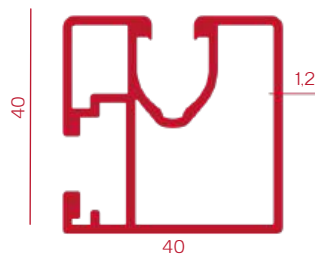
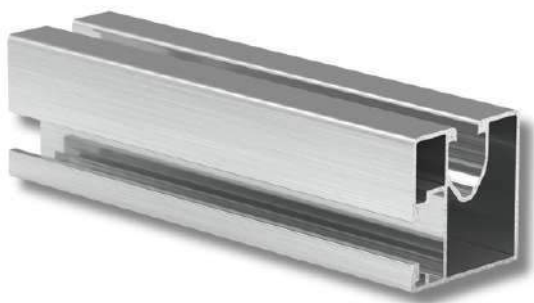

CFT-8969
CODE

U4040UDTH-00

COLOR

 Mill Finished Anodized
Ral

DESCRIPTION

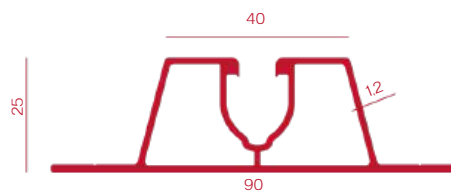
 Ses "U" Series, Al. Profile
40x40mm, Under
Connection With Screw
M10th.

CFT-9004
CODE

U4040STH-00

COLOR

 Mill Finished Anodized
Ral

DESCRIPTION

 Ses "U" Series, Al. Profile
40x40mm, Side Connection
With Screw M10th.

CFT-8993
CODE

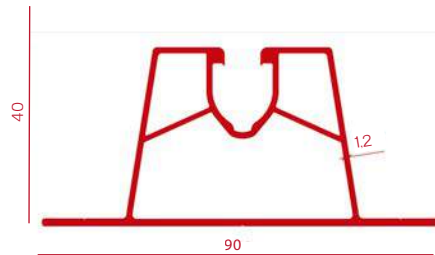
U4025W-00

COLOR

 Mill Finished
Anodized
Ral

DESCRIPTION

 Ses "U" Series, Mini Rail
Al. Profile 40x25mm.



CFT-8995

CODE

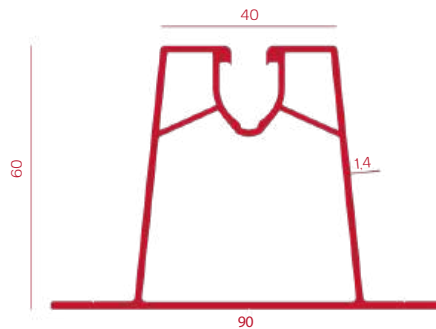
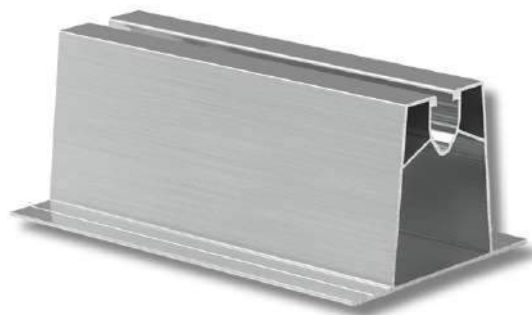
U4040W-00

COLOR

Mill Finished
Anodized
Ral

DESCRIPTION

Ses "U" Series, Mini Rail
Al. Profile 40x40mm, With
Wings.



CFT-9000

CODE

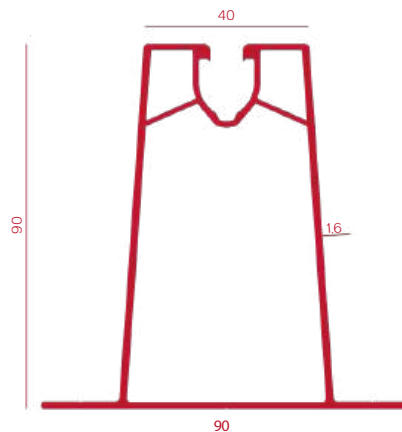
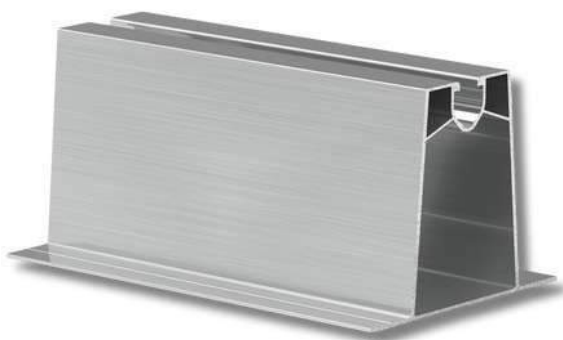
U4060W-00

COLOR

Mill Finished
Anodized
Ral

DESCRIPTION

Ses "U" Series, Mini Rail
Al. Profile 40x60mm.



CFT-8994

CODE

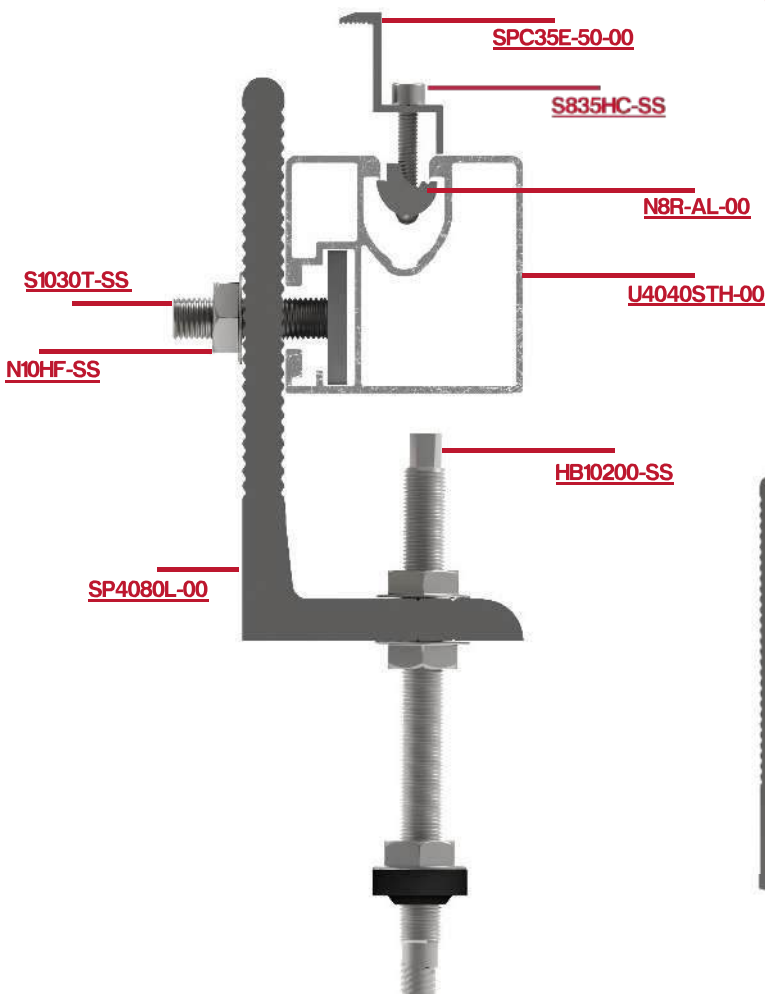
U4090W-00

COLOR

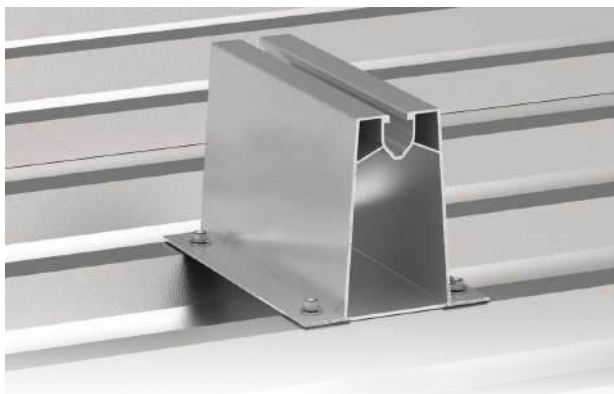
Mill Finished
Anodized
Ral

DESCRIPTION

Ses "U" Series, Mini Rail
Al. Profile 40x90mm, With
Wings.



'U' SERIES PROFILE ASSEMBLE WITH HANGER BOLT AND SUPPORT TYPE 'L' - SECTION

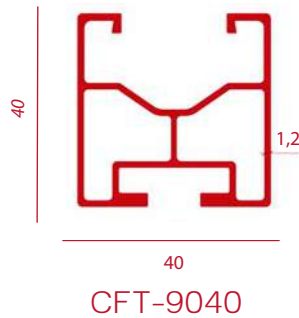
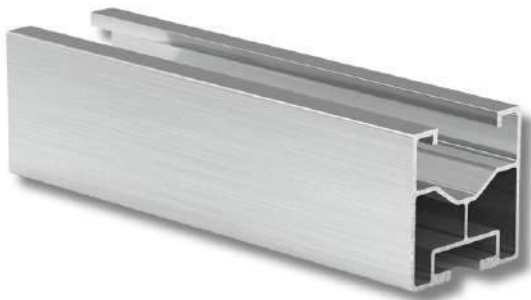


■ "U" Series Mini Rail For Sandwich Panel

■ "U" Series Mini Rail With Epdm For Sandwich Panel

H Series



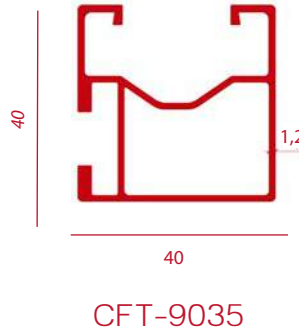
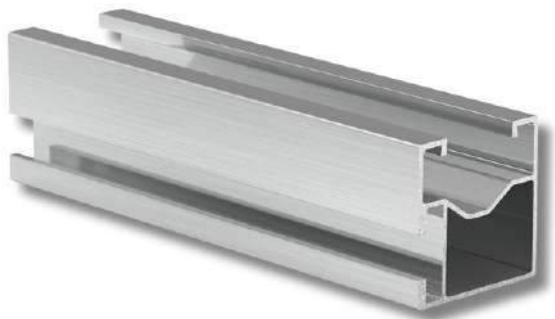

CODE

H4040UT-00

COLOR

Mill Finished Anodized
Ral

DESCRIPTION

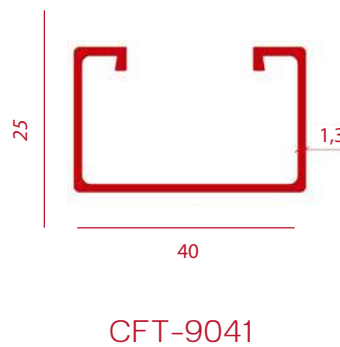
Ses "H" Series, Al. Profile
40x40mm, Under
Connection With Screw
M10t.

CODE

H4040ST-00

COLOR

Mill Finished Anodized
Ral

DESCRIPTION

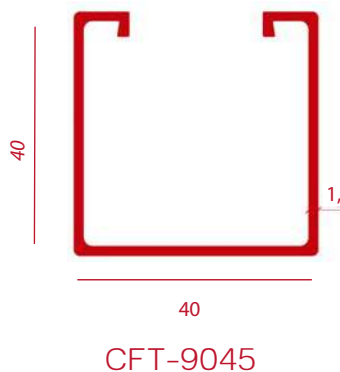
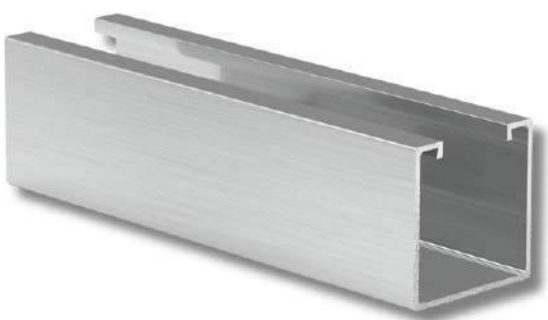
Ses "H" Series, Al. Profile
40x40mm, Side
Connection With Screw
M10t.

CODE

H4025M-00

COLOR

Mill Finished Anodized
Ral

DESCRIPTION

Ses "H" Series, Mini Rail Al.
Profile 40x25mm, With
Median Connection.

CODE

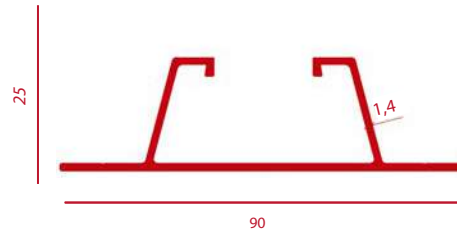
H4040M-00

COLOR

Mill Finished
Anodized
Ral

DESCRIPTION

Ses "H" Series, Mini Rail
Al. Profile 40x40mm, With
Median Connection.



CFT-9049

CODE

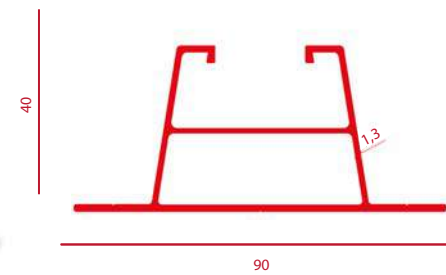
H4025W-00

COLOR

Mill Finished Anodized
Ral

DESCRIPTION

Ses "H" Series, Mini Rail Al. Profile 40x25mm, With Wings.



CFT-9043

CODE

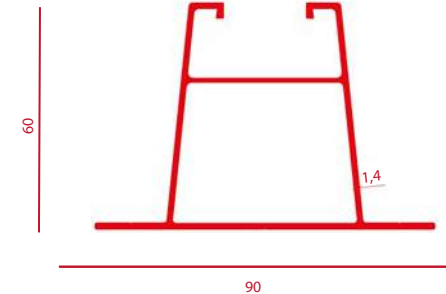
H4040W-00

COLOR

Mill Finished Anodized
Ral

DESCRIPTION

Ses "H" Series, Mini Rail Al. Profile 40x40mm, With Wings.



CFT-9042

CODE

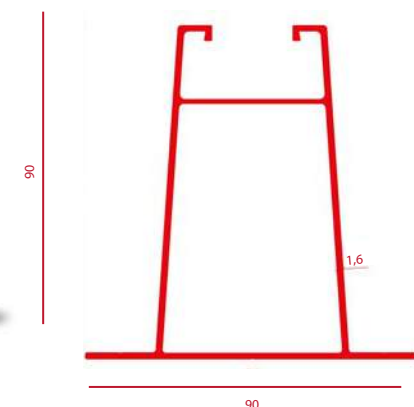
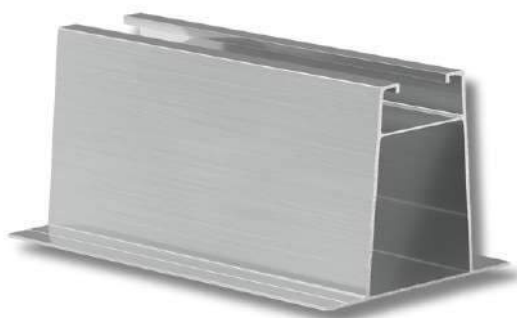
H4060W-00

COLOR

Mill Finished Anodized
Ral

DESCRIPTION

Ses "H" Series, Mini Rail Al. Profile 40x60mm, With Wings.



CFT-9044

CODE

H4090W-00

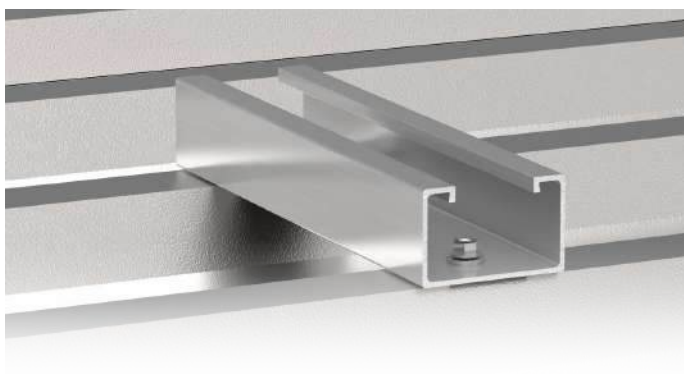
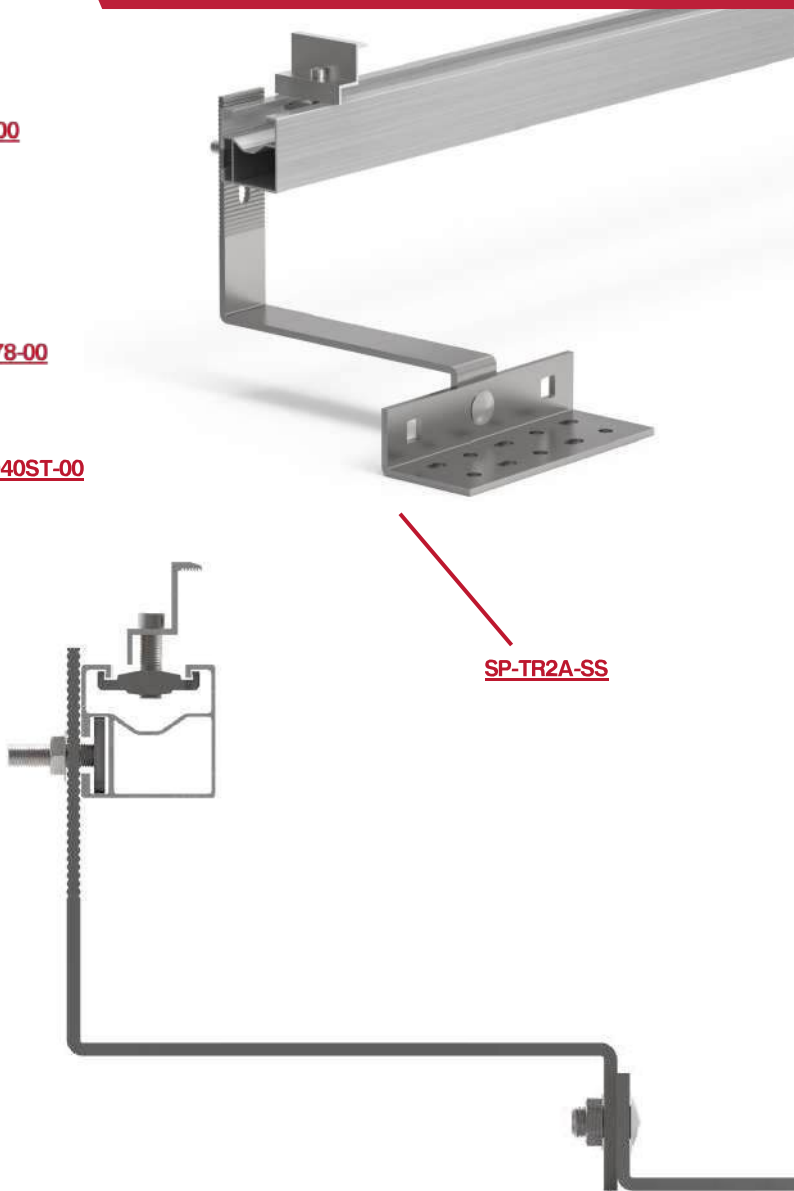
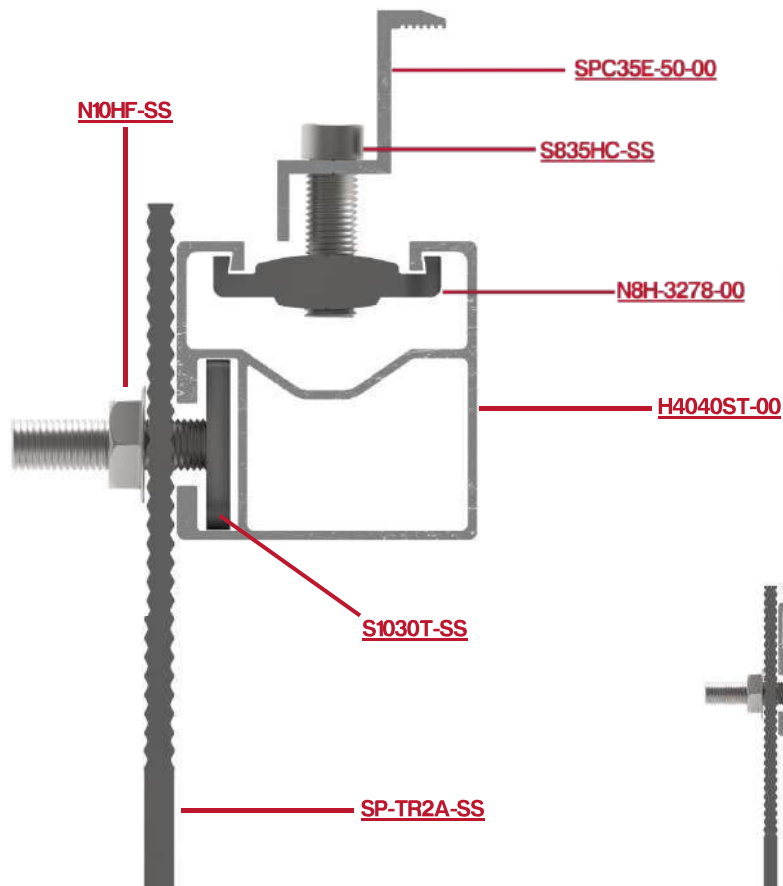
COLOR

Mill Finished Anodized
Ral

DESCRIPTION

Ses "H" Series, Mini Rail Al. Profile 40x90mm, With Wings.

'H' SERIES PROFILE ASSEMBLY WITH HOOK - SECTION



■ "H" Series Mini Rail For Sandwich Panel



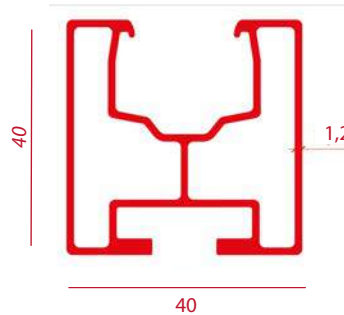
■ "H" Series Mini Rail With Epdm For Sandwich Panel

**We manufacture
and support
solar energy
systems.**

CS Series



Effortless installation with the Comfortex connection system. Side Connection option, Comfortex N8C connection, T-bolt connection, EPDM secured Minirails for Sandwich panels roofs, Angle 'L - U' and C2275T auxiliary connection profiles.



CFT-8987

CODE

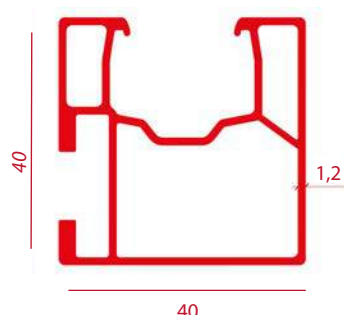
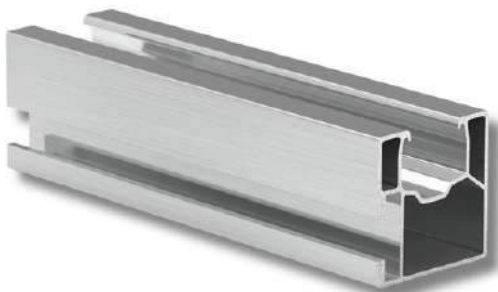
CS4040UT-00

COLOR

Mill Finished Anodized
Ral

DESCRIPTION

Ses "CS" Series, Al. Profile 40x40mm, Under Connection With Screw M10t.



CFT-8996

CODE

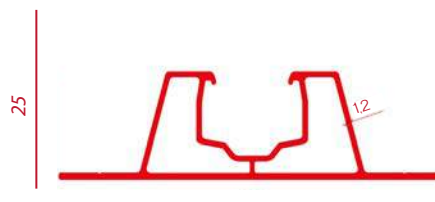
CS4040ST-00

COLOR

Mill Finished Anodized
Ral

DESCRIPTION

Ses "CS" Series, Al. Profile 40x40mm, Side Connection With Screw M10t.



CFT-8986

CODE

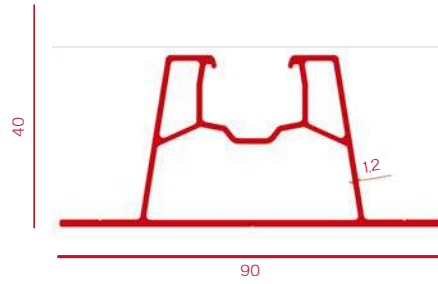
CS4025W-00

COLOR

Mill Finished Anodized
Ral

DESCRIPTION

Ses "CS" Series, Mini Rail Al. Profile 40x25mm, With Wings.



CFT-8997

CODE

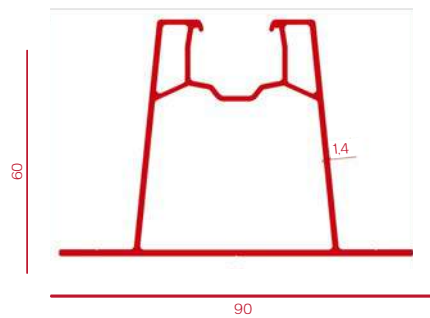
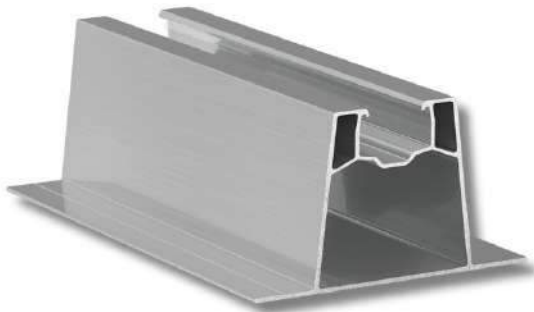
CS4040W-00

COLOR

Mill Finished
Anodized
Ral

DESCRIPTION

Ses "CS" Series, Mini Rail Al. Profile 40x40mm, With Wings.



CFT-8985

CODE

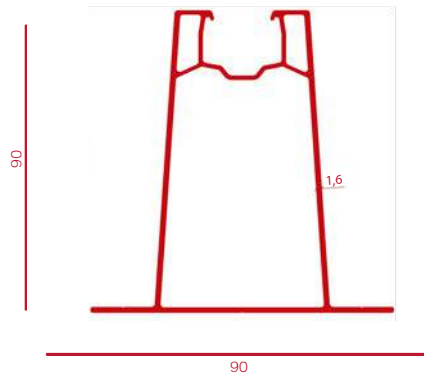
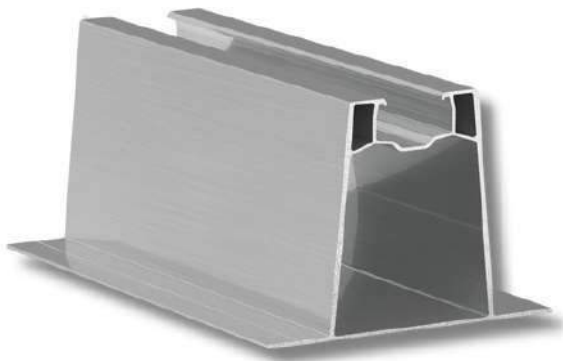
CS4060W-00

COLOR

Mill Finished
Anodized
Ral

DESCRIPTION

Ses "CS" Series, Mini Rail Al. Profile 40x60mm, With Wings.



CFT-8990

CODE

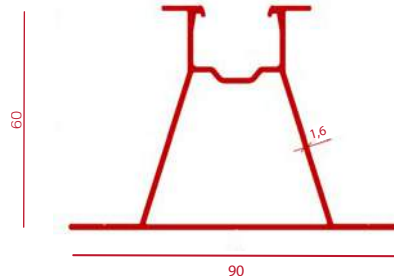
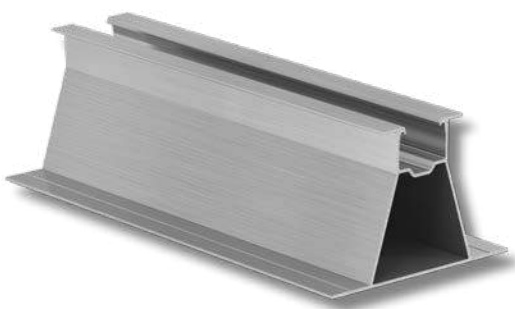
CS4090W-00

COLOR

Mill Finished
Anodized
Ral

DESCRIPTION

Ses "CS" Series, Mini Rail Al. Profile 40x90mm, With Wings.



CFT-51267

CODE

ECS4060W-00

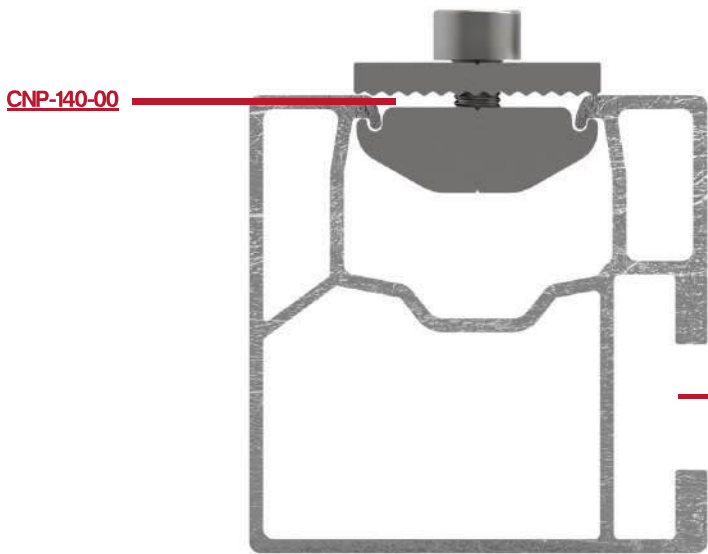
COLOR

Mill Finished Anodized
Ral

DESCRIPTION

Ses "CS" Series, Mini Rail Al. Profile 40x90mm, With Wings.

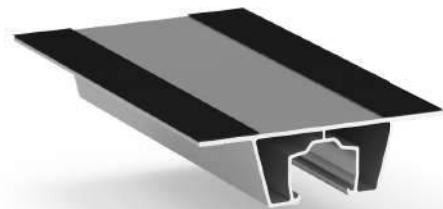
'CS' SERIES PROFILE ASSEMBLE
WITH CONNECTION TYPE 'NP' - SECTION



CS4040ST-00



■ "CS" Series Mini Rail For Sandwich Panel

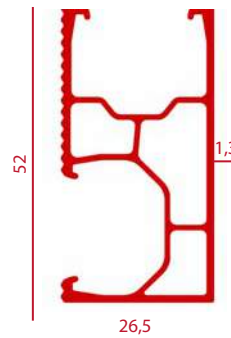
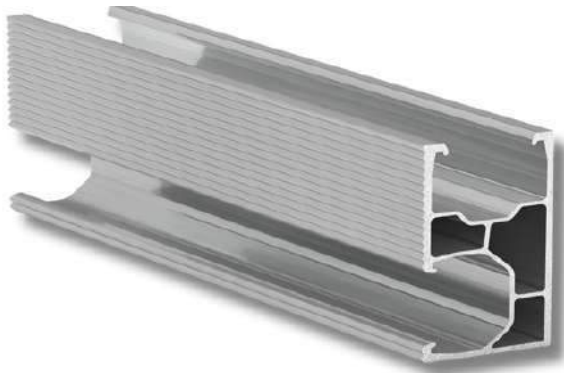


■ "CS" Series Mini Rail With Epdm For Sandwich Panel

Series C



Quick, sturdy, and adjustable series with Comfortex connection system. Side Connection option, T-bolt or Comfortex N8C connection, EPDM secured Minirails for Sandwich panel roofs, C498D, C2215C, C2275T and CNP auxiliary connection profiles.


CFT-51221
CODE

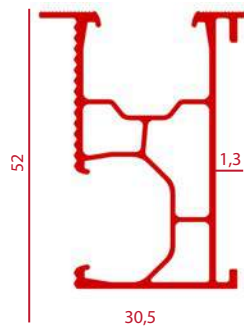
C2652SN-00

COLOR

 Mill Finished Anodized
Ral

DESCRIPTION

Ses "C" Series, Al. Profile 26x52mm, Side Connection With Nut N8c-2175.


CFT-8938
CODE

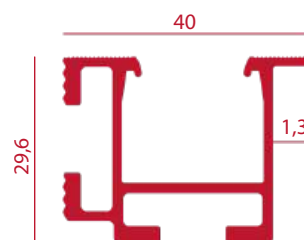
C40525N-00

COLOR

 Mill Finished Anodized
Ral

DESCRIPTION

Ses "C" Series, Al. Profile 40x52mm, Side Connection With Nut N8c-2175.


CFT-9028
CODE

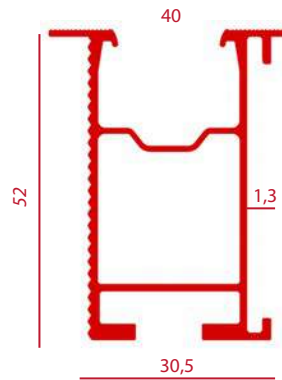
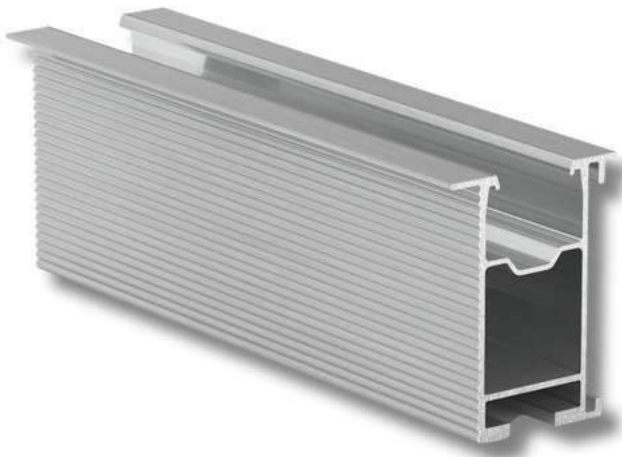
C4030UST-00

COLOR

 Mill Finished Anodized
Ral

DESCRIPTION

Ses "C" Series, Al. Profile 40x30mm, Side-Under Connection With Screw M10t.



CFT-8982

CODE

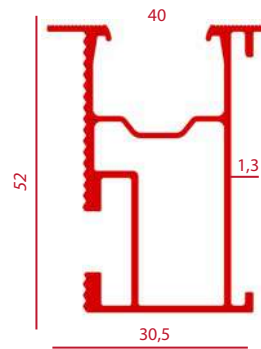
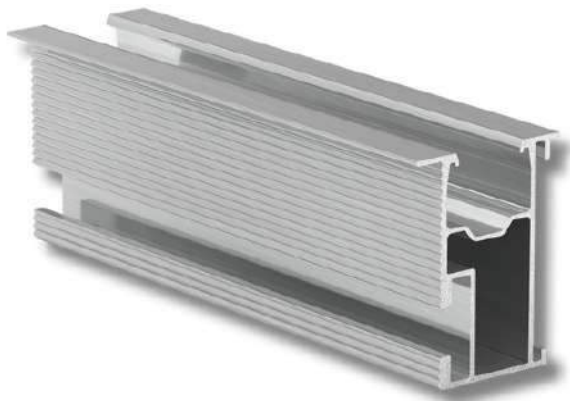
C4052UT-00

COLOR

Mill Finished
Anodized
Ral

DESCRIPTION

Ses "C" Series, Al. Profile 40x52mm, Under Connection With Screw M10t.



CFT-8977

CODE

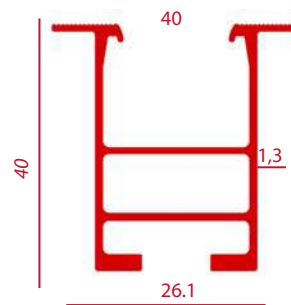
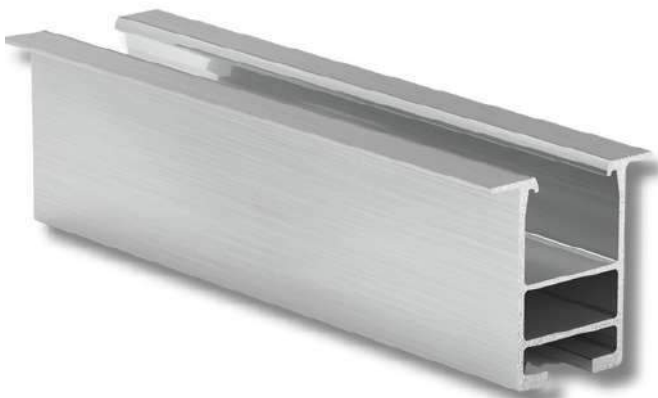
C4052ST-00

COLOR

Mill Finished Anodized
Ral

DESCRIPTION

Ses "C" Series, Al. Profile 40x52mm, Side Connection With Screw M10t.



CFT-8988

CODE

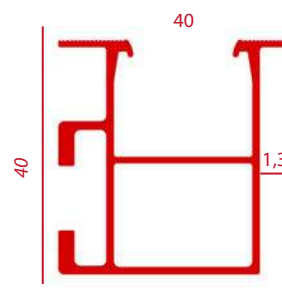
C4040UT-00

COLOR

Mill Finished Anodized
Ral

DESCRIPTION

Ses "C" Series, Al. Profile 40x40mm, Under Connection With Screw M10t.



CFT-8973

CODE

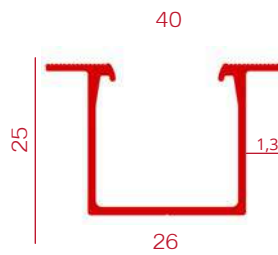
C4040ST-00

COLOR

Mill Finished Anodized
Ral

DESCRIPTION

Ses "C" Series, Al. Profile 40x40mm, Side Connection With Screw M10t.

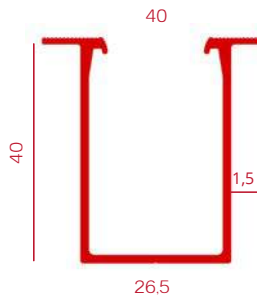
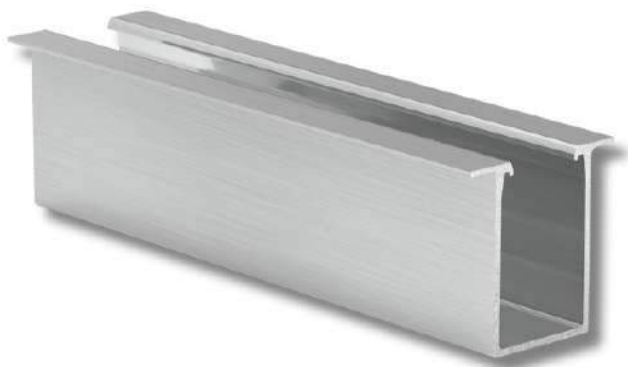

CFT-8972
CODE

C4025M-00

COLOR

 Mill Finished
 Anodized
 Ral

DESCRIPTION

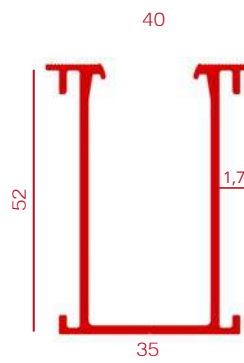
 Ses "C" Series, Mini Rail
 Al. Profile 40x25mm, With
 Median Connection, Mill
 Finished

CFT-8976
CODE

C4040M-00

COLOR

 Mill Finished
 Anodized
 Ral

DESCRIPTION

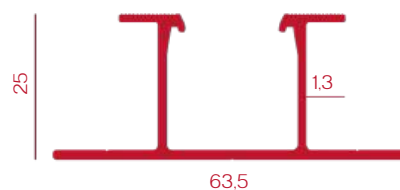
 Ses "C" Series, Mini Rail
 Al. Profile 40x40mm,
 With Median Connection.

CFT-9011
CODE

C4052M-00

COLOR

 Mill Finished
 Anodized
 Ral

DESCRIPTION

 Ses "C" Series, Mini Rail
 Al. Profile 40x52mm, With
 Median Connection, Mill
 Finished

CFT-8979
CODE

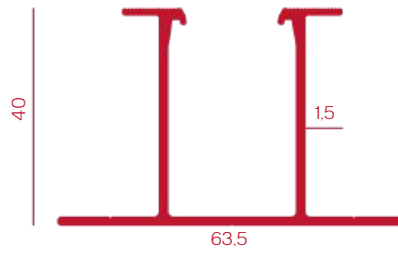
C4025W-00

COLOR

 Mill Finished
 Anodized
 Ral

DESCRIPTION

 Ses "C" Series, Mini Rail
 Al. Profile 40x25mm,
 With Wings.



CFT-8975

CODE

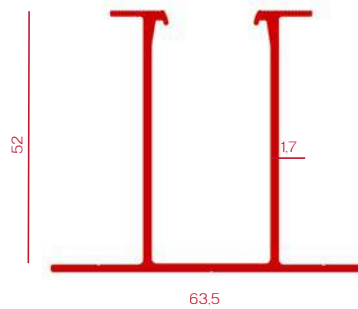
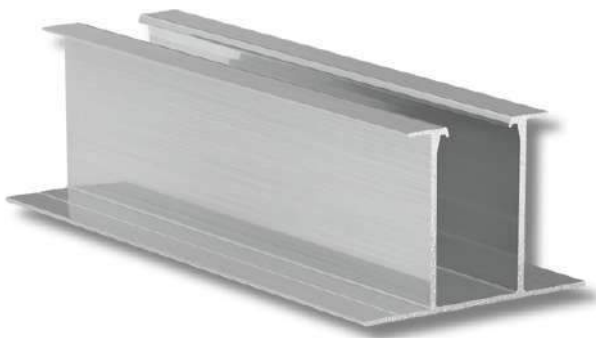
C4040W-00

COLOR

Mill Finished
Anodized
Ral

DESCRIPTION

Ses "C" Series, Mini Rail
Al. Profile 40x40mm, With
Wings, Mill Finished



CFT-8974

CODE

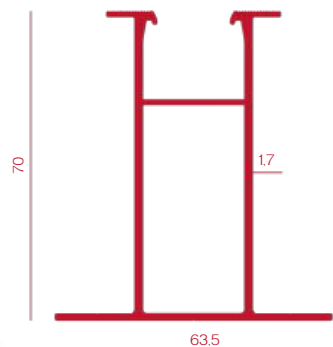
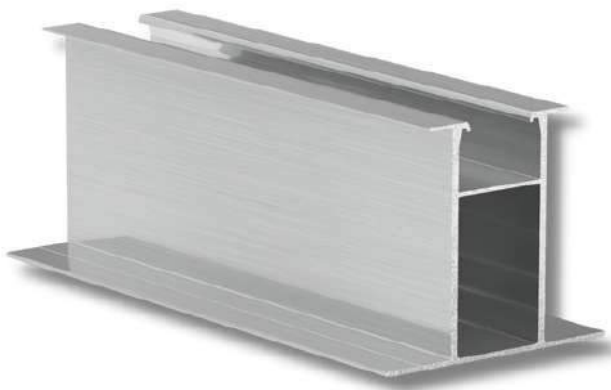
C4052W-00

COLOR

Mill Finished
Anodized
Ral

DESCRIPTION

Ses "C" Series, Mini Rail
Al. Profile 40x52mm, With
Wings.



CFT-30102

CODE

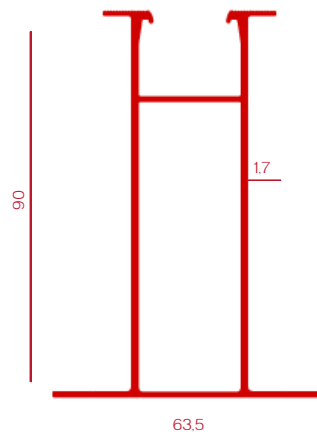
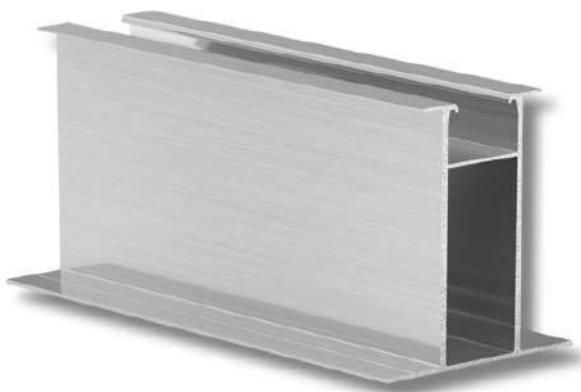
C4070W-00

COLOR

Mill Finished
Anodized
Ral

DESCRIPTION

Ses "C" Series, Mini Rail
Al. Profile 40x70mm, With
Wings, Mill Finished



CFT-30101

CODE

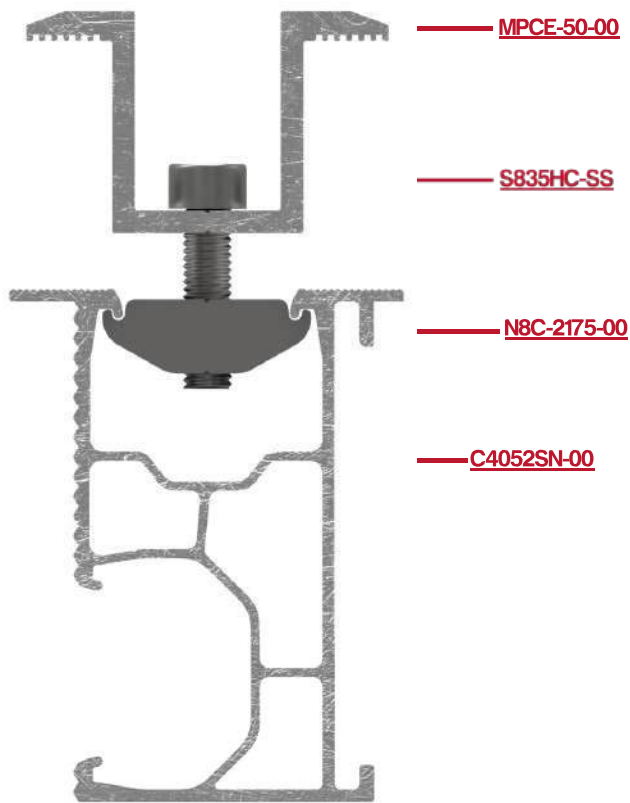
C4090W-00

COLOR

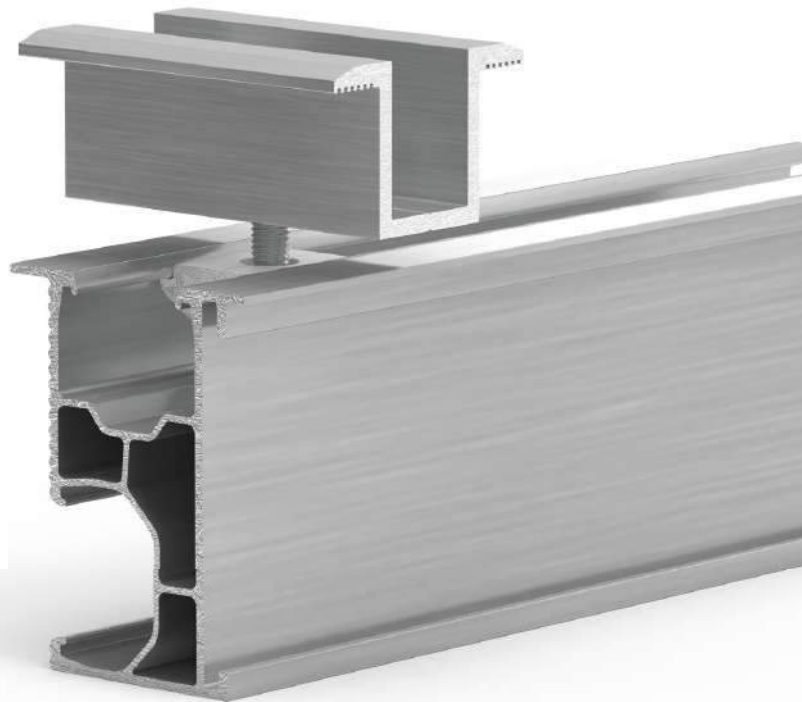
Mill Finished
Anodized
Ral

DESCRIPTION

Ses "C" Series, Mini Rail
Al. Profile 40x90mm, With
Wings.



'C' SERIES PROFILE ASSEMBLY
SPECIAL NUT AND MIDDLE
CLAMP - SECTION



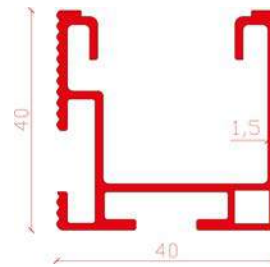
■ "C" Series Mini Rail For
Sandwich Panel



■ "C" Series Mini Rail With Epdm
For Sandwich Panel

Series K



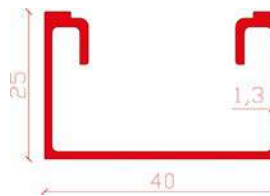

CFT-9650
CODE

K4040UST-00

COLOR

 Mill Finished Anodized
Ral

DESCRIPTION

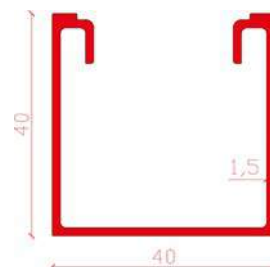
 Ses "K" Series, Al. Profile
40x40mm, Side-Under
Connection With Nut N8c-2175.

CFT-9700
CODE

K4025M-00

COLOR

 Mill Finished Anodized
Ral

DESCRIPTION

 Ses "K" Series, Mini Rail
Al. Profile 40x25mm, With
Median Connection

CFT-9701
CODE

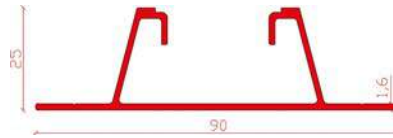
K4040M-00

COLOR

 Mill Finished Anodized
Ral

DESCRIPTION

 Ses "K" Series, Mini Rail
Al. Profile 40x40mm, With
Median Connection.



CFT-9702

CODE

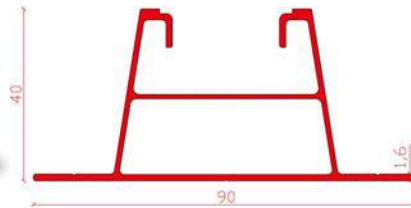
K4025W-00

COLOR

Mill Finished Anodized
Ral

DESCRIPTION

Ses "K" Series, Mini Rail Al. Profile 40x25mm, With Wings.



CFT-9703

CODE

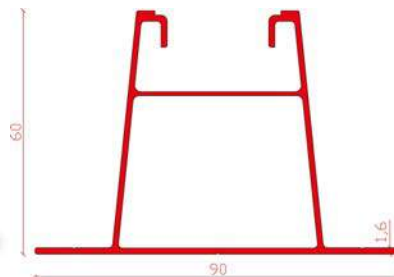
K4040W-00

COLOR

Mill Finished Anodized
Ral

DESCRIPTION

Ses "K" Series, Mini Rail Al. Profile 40x40mm, With Wings.



CFT-9704

CODE

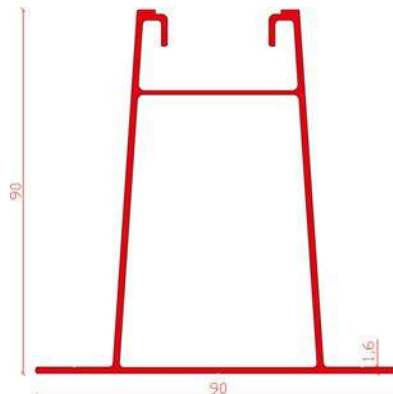
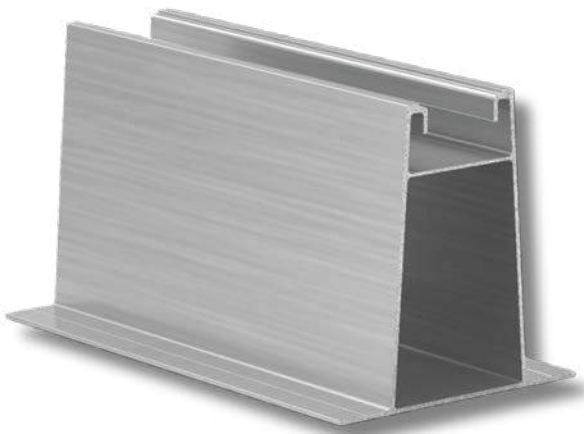
K4060W-00

COLOR

Mill Finished Anodized
Ral

DESCRIPTION

Ses "K" Series, Mini Rail Al. Profile 40x60mm, With Wings.



CFT-9705

CODE

K4090W-00

COLOR

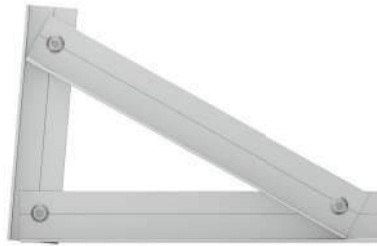
Mill Finished Anodized
Ral

DESCRIPTION

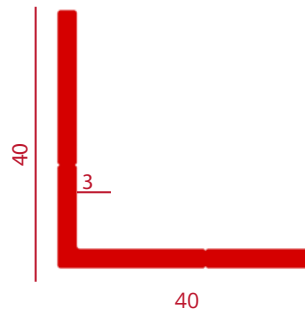
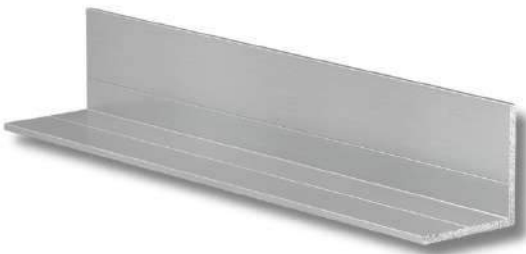
Ses "K" Series, Mini Rail Al. Profile 40x90mm, With Wings.

Profile Standard - Nuts





CODE
TRIANGLE

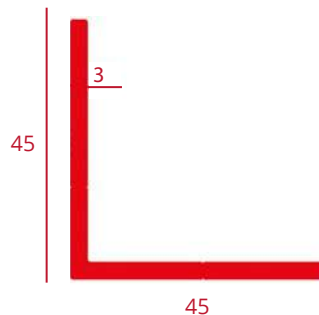
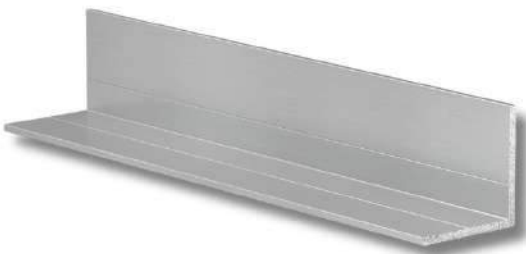


CFT-8981

CODE
L40403-00

COLOR
Mill Finished
Anodized
Ral

DESCRIPTION
Ses "L" Series, Al. Profile
40x40x3mm,

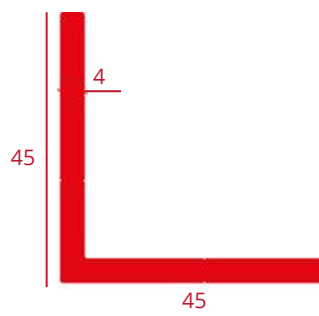
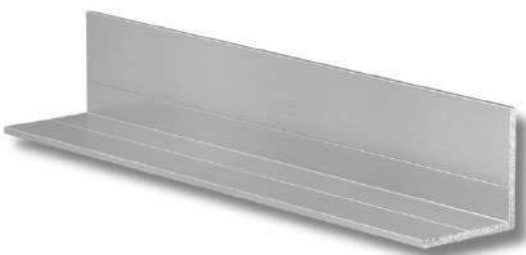


CFT-45453

CODE
L45453-00

COLOR
Mill Finished
Anodized
Ral

DESCRIPTION
Ses "L" Series, Al. Profile
45x45x3mm,

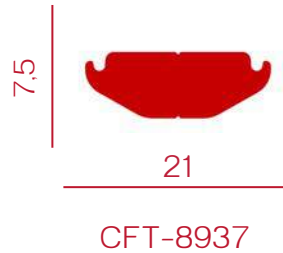


CFT-45454

CODE
L45454-00

COLOR
Mill Finished
Anodized
Ral

DESCRIPTION
Ses "L" Series, Al. Profile
45x45x3mm,


CODE

N8C-2175-00

COLOR

 Aluminium, Mill
Finished

DESCRIPTION

 Ses Series "C" Nuts, M8,
21x7,5mm,

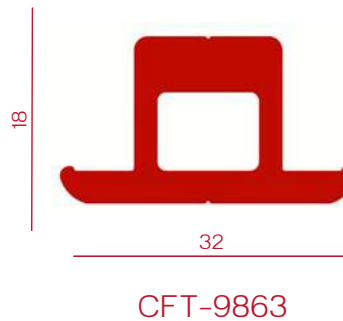
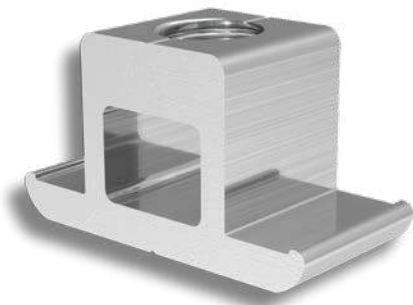
CODE

N8H-3278-00

COLOR

 Aluminium, Mill
Finished

DESCRIPTION

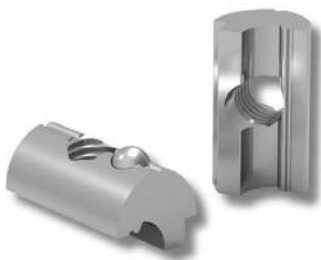
 Ses Series "H" Nuts, M8,
32x7,8mm,

CODE

N8H-3218-00

COLOR

 Aluminium, Mill
Finished

DESCRIPTION

 Ses Series "K" Nuts, M8,
32x18mm,

CODE

N8R-AL-00

COLOR

 Aluminium, Mill
Finished

DESCRIPTION

Ses Roll-In T Nuts, M8.


CODE

NBS-1313-SS

COLOR

 Stainless Steel (Din557)
(A2-70) (304)

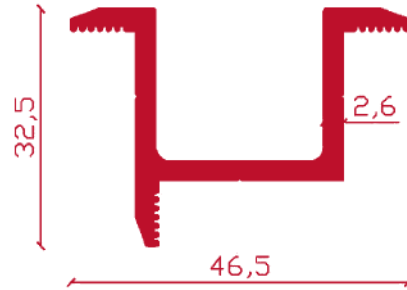
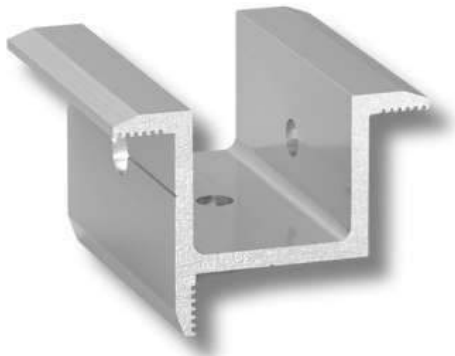
DESCRIPTION

 Ses Square Nuts, M8,
13x13mm.

We manufacture and support solar energy systems.

Panel Clamps




CFT-9103
CODE

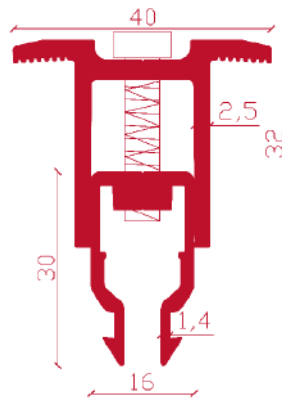
MSPCU-50-00

COLOR

 Aluminium, Mill
Finished

DESCRIPTION

Ses Series "U" Middle Clamps, For 30mm, 35mm, 40mm Panels, Side Clamp For 30mm, 35mm Panels, L=50mm,


CFT-9468,9469
CODE

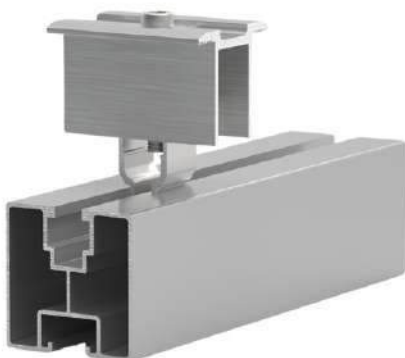
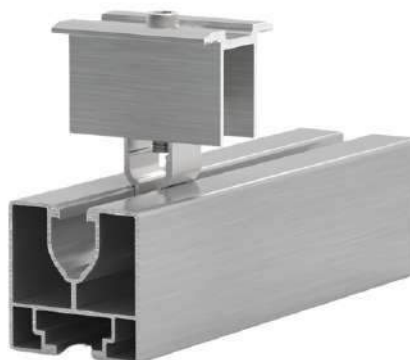
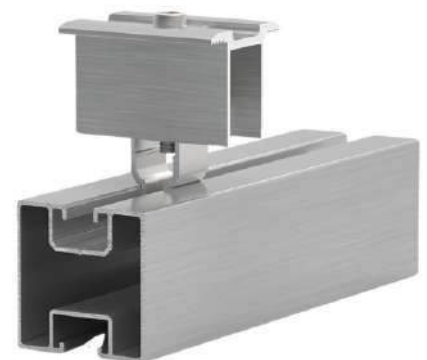
MSPC-URS-50-00

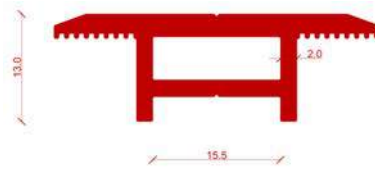
COLOR

 Aluminium, Mill
Finished

DESCRIPTION

Ses Seies "U-R-S" Middle Clamps, For 30mm, 35mm, 40mm Panels, Side Clamp For 30mm, 35mm, 40mm Panels, L=50mm,


**'S' SERIES PROFILE ASSEMBLE
WHIT CLICK CLAMP**

**'U' SERIES PROFILE ASSEMBLE
WHIT CLICK CLAMP**

**'R' SERIES PROFILE ASSEMBLE
WHIT CLICK CLAMP**



CFT-

CODE

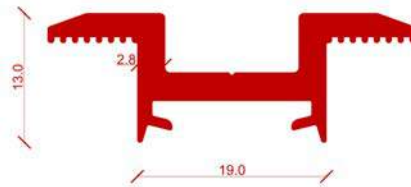
XXX

COLOR

Aluminium, Mill Finished

DESCRIPTION

XXXXX,



CFT-

CODE

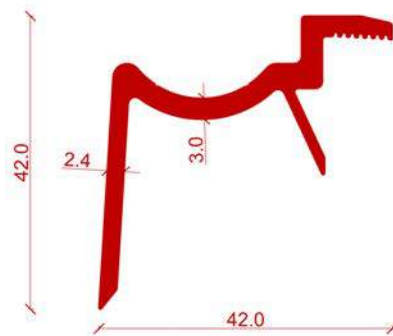
XXXX

COLOR

Aluminium, Mill Finished

DESCRIPTION

XXXXX



CFT-

CODE

XXXX

COLOR

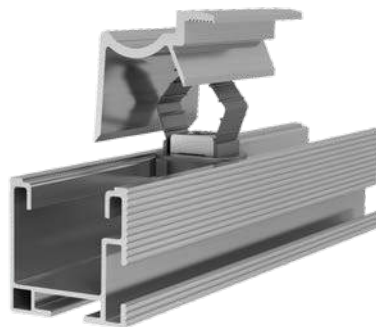
Aluminium, Mill Finished

DESCRIPTION

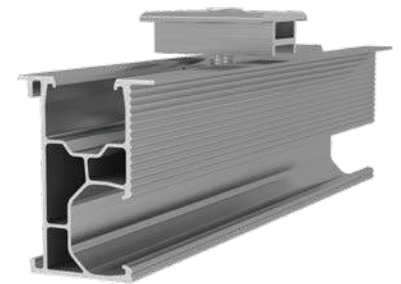
XXXX



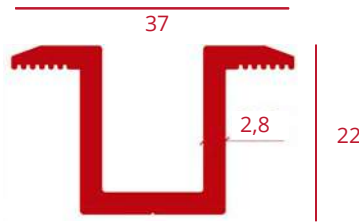
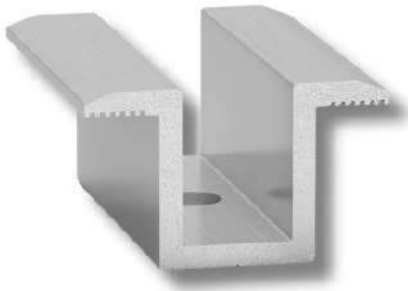
**'K' SERIES PROFILE ASSEMBLE
WHIT CLICK CLAMP**



**'K' SERIES PROFILE ASSEMBLE
WHIT CLICK CLAMP**



**'C' SERIES PROFILE ASSEMBLE
WHIT CLICK CLAMP**


CFT-9448
CODE

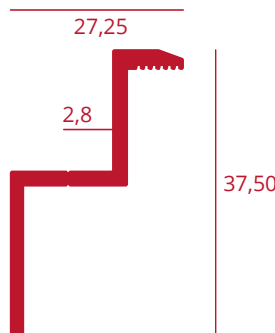
MPCE-50-00

COLOR

Aluminium, Mill Finished

DESCRIPTION

Ses Series "E" Middle Clamps, For 30mm, 35mm, 40mm Panels, L=50mm.


CFT-9449
CODE

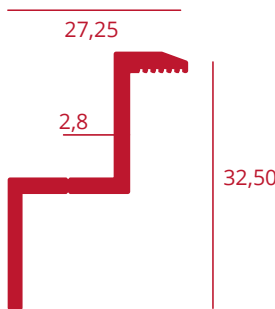
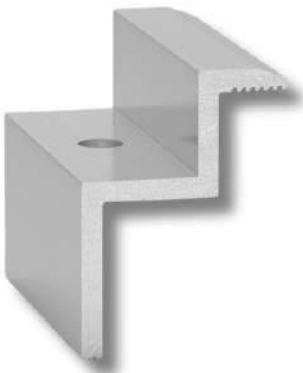
SPC30E-50-00

COLOR

Aluminium, Mill Finished

DESCRIPTION

Ses Series "E" Side Clamp, For 30mm Panels, L= 50mm.


CFT-9450
CODE

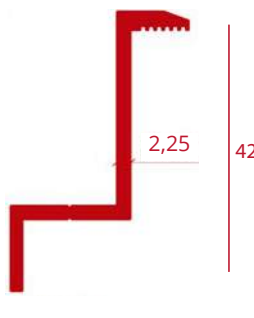
SPCA35-50-00

COLOR

Aluminium, Mill Finished

DESCRIPTION

Ses Series "E" Side Clamp, For 35mm Panels, L= 50mm.


CFT-7766
CODE

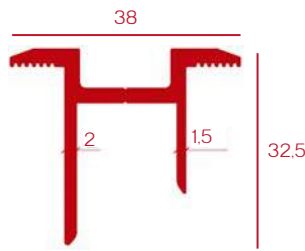
SPCA40-50-00

COLOR

Aluminium, Mill Finished

DESCRIPTION

Ses Series "E" Side Clamp, For 40mm Panels, L= 50mm.



CFT-8980

CODE

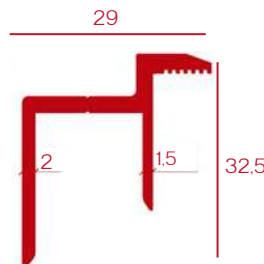
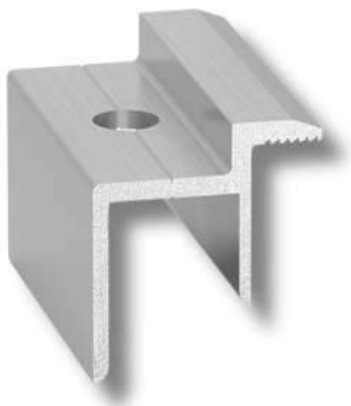
MPCD-50-00

COLOR

Aluminium, Mill Finished

DESCRIPTION

Ses Series "D" Middle Clamps, For 30mm, 35mm, 40mm Panels, L=50mm.



CFT-8989

CODE

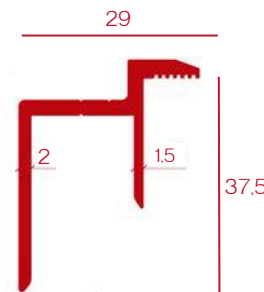
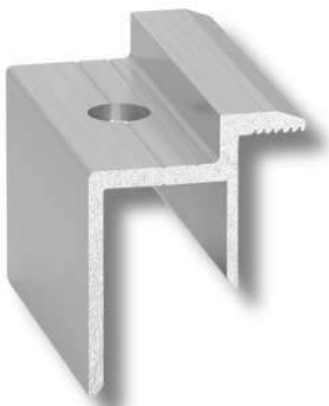
SPC30D-50-00

COLOR

Aluminium, Mill Finished

DESCRIPTION

Ses Series "D" Side Clamp, For, 30mm Panels, L= 50mm.,



CFT-8984

CODE

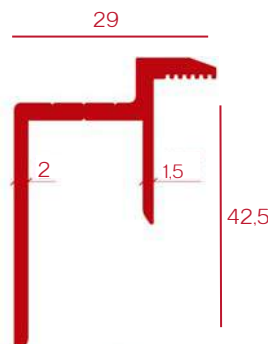
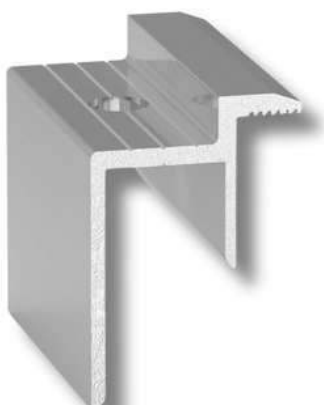
SPC35D-50-00

COLOR

Aluminium, Mill Finished

DESCRIPTION

Ses Series "D" Side Clamp, For 35mm Panels, L= 50mm.



CFT-8978

CODE

SPC40D-50-00

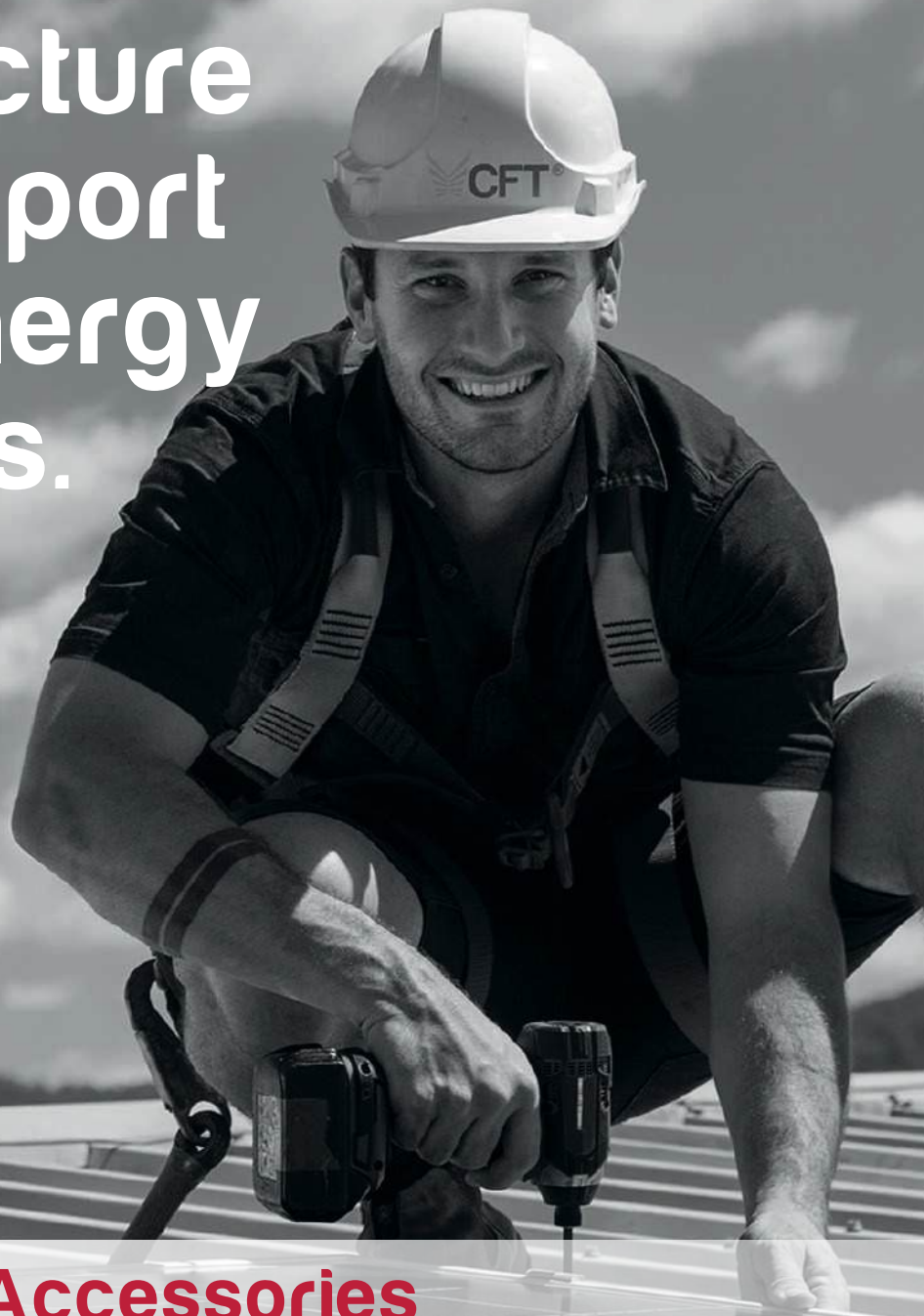
COLOR

Aluminium, Mill Finished

DESCRIPTION

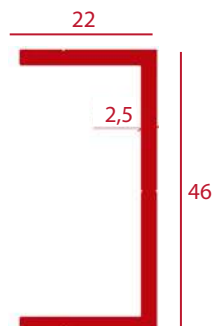
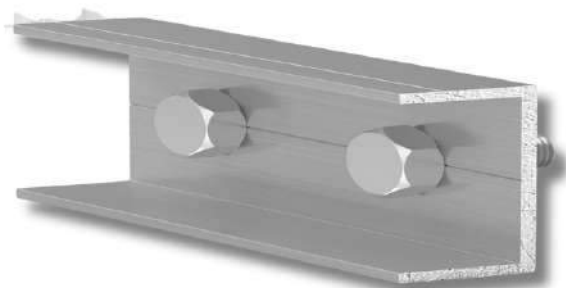
Ses Series "D" Side Clamp, For 40mm Panels, L= 50mm.

**We
manufacture
and support
solar energy
systems.**



Connection Accessories





CFT-9146

CODE

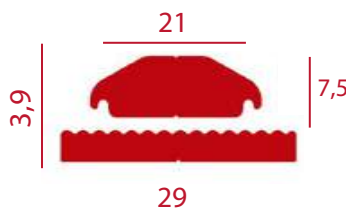
C4622U-110-00

COLOR

Aluminium, Mill Finished

DESCRIPTION

Ses Connection Type "U", 46x22mm, For 40x40mm Profiles, L= 110mm.



CFT-9037,8937

CODE

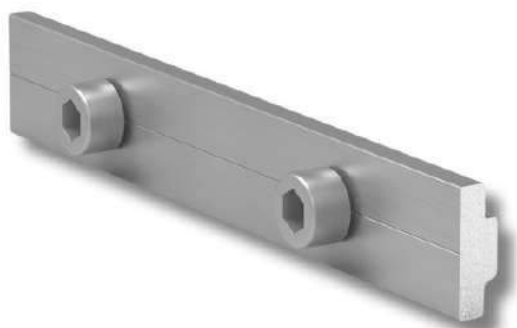
CNP-140-00

COLOR

Aluminium, Mill Finished

DESCRIPTION

Ses Connection Type "Np", For "Cs" And "C" Series Profiles, L= 140mm.



CFT-9039

CODE

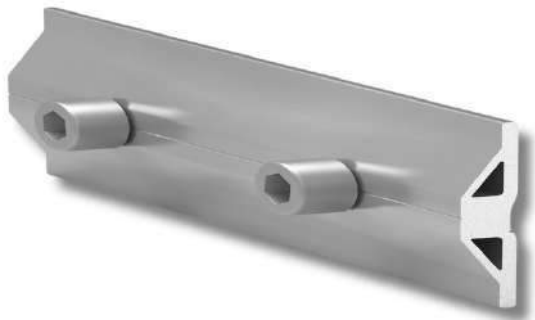
C2275T-140-00

COLOR

Aluminium, Mill Finished

DESCRIPTION

Ses Connection Type "T", 22.6x7.5mm, For "Cs", "C", "U", "H", "S" And "R" Series Profiles, L= 140mm.



CODE

C498D-140-00

COLOR

Aluminium, Mill Finished

DESCRIPTION

Ses Connection Type "D", 49x8mm, For "C" Series Profiles, L= 140mm,

CFT-9036



CODE

C2215C-140-00

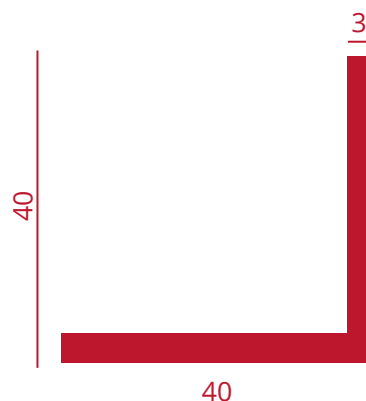
COLOR

Aluminium, Mill Finished

DESCRIPTION

Ses Connection Type "C", 22x15,4mm, For "Cs" And "C" Series Profiles, L= 140mm,

CFT-9038



CODE

C4040L-140-00

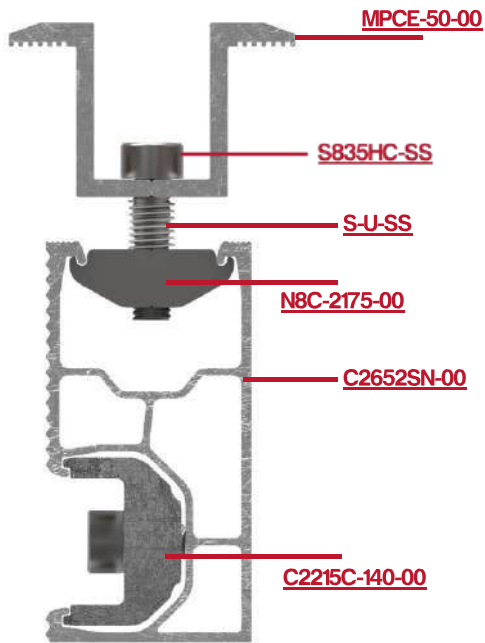
COLOR

Aluminium, Mill Finished

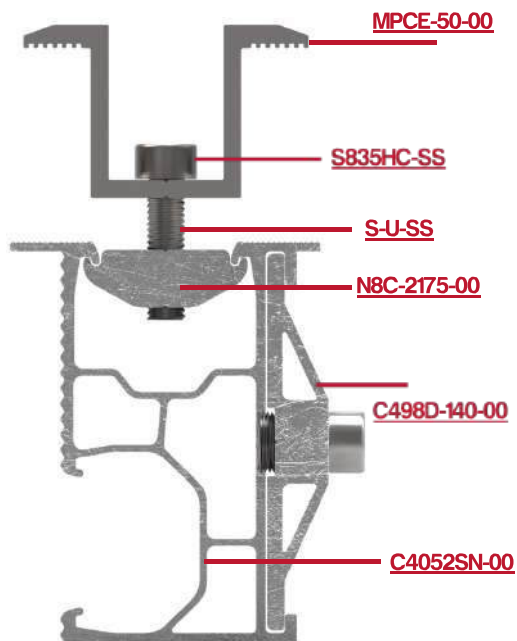
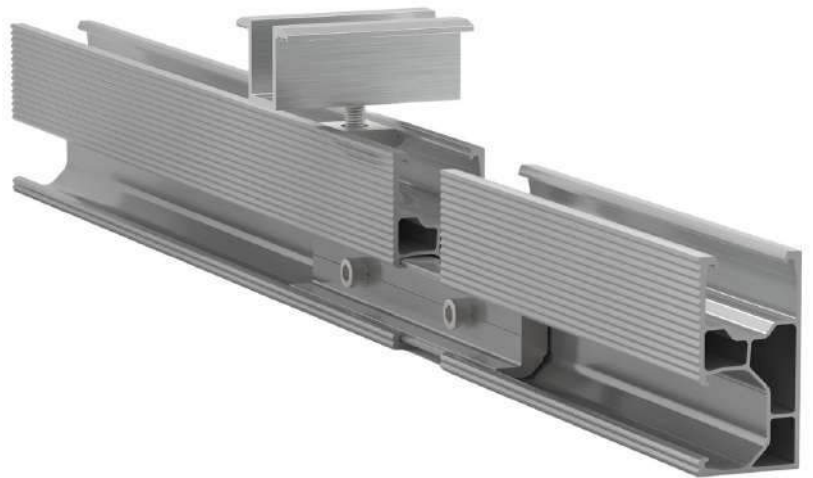
DESCRIPTION

Ses Connection Type "L", 40x40mm, For "Cs", "C", "U", "H", "S" And "R" Series Profiles, L=140mm,

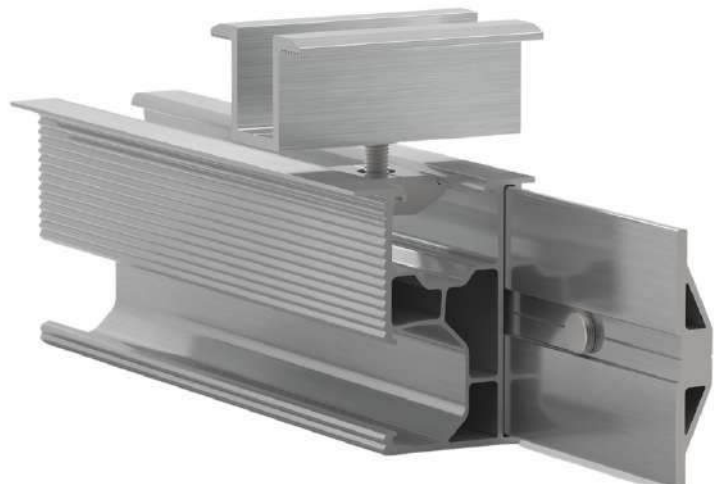
CFT-8981



'C' SERIES PROFILE ASSEMBLY
WITH CONNECTION TYPE
'C' - SECTION

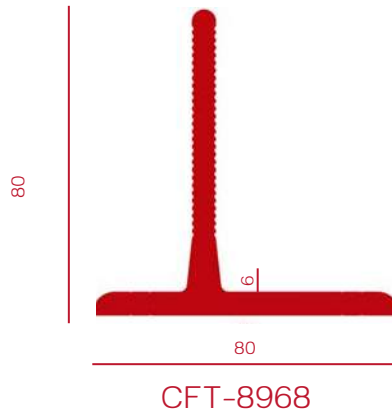


'D' SERIES PROFILE ASSEMBLY
WITH CONNECTION TYPE
'D' - SECTION



Mounting Accessories





CODE

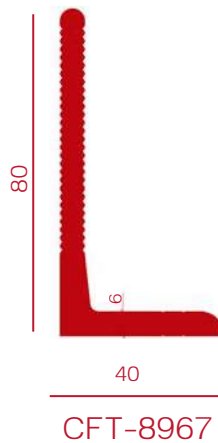
SP8080T-00

COLOR

Aluminium, Mill Finished

DESCRIPTION

Ses Support Type "T", 80x80mm, For Side/Under Connection, L=40MM



CODE

SP4080L-00

COLOR

Aluminium, Mill Finished

DESCRIPTION

Ses Support Type "L", 40x80mm, For Side Connection, L=40mm



CODE

SP8030P-SS

COLOR

Stainless Steel 304

DESCRIPTION

Ses Support Type "P", 80x30mm, For Under Connection.



CODE

SP808030L-SS

COLOR

Stainless Steel 304

DESCRIPTION

Ses Support Type "L", 80x80x30mm, For Side/Under Connection,



CODE

SP-TR2A-SS

COLOR

Stainless Steel
304

DESCRIPTION

Ses Tile Roof Support,
2 Adjustments



CODE

SP-TRH3A-SS

COLOR

Stainless Steel
304

DESCRIPTION

Ses Sandwich Roof
Support With Hook,
3 Adjustments.



CODE

SP-SR1A-SS

COLOR

Stainless Steel
304

DESCRIPTION

Ses Sandwich Roof
Support, 1 Adjustment



CODE

SP-SR2A-SS

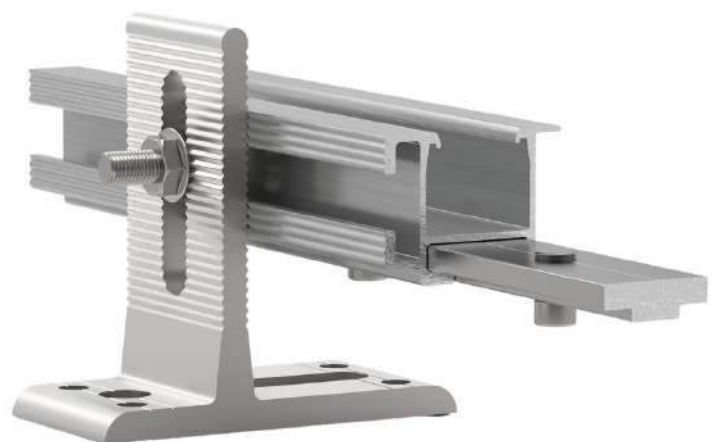
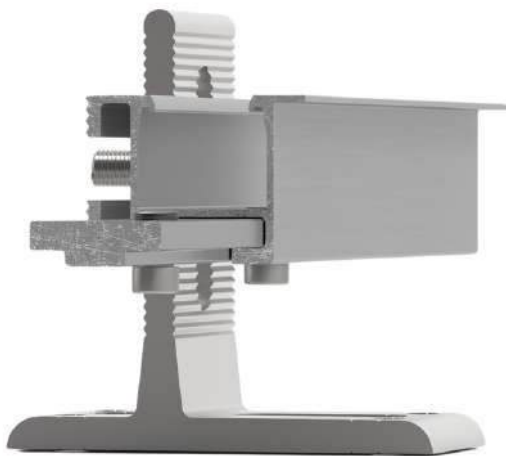
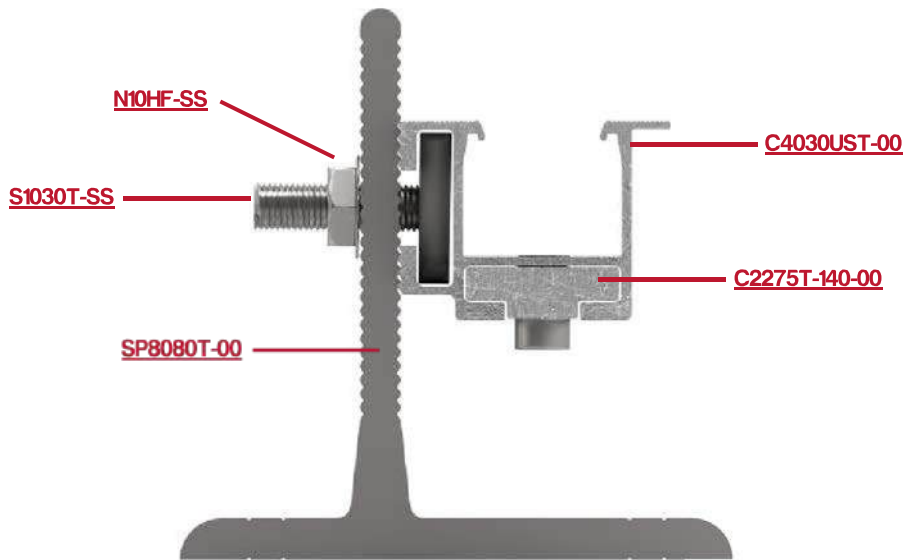
COLOR

Stainless Steel
304

DESCRIPTION

Ses Sandwich Roof
Support With Hook,
2 Adjustments.

'C' SERIES PROFILE ASSEMBLE WITH CONNECTION TYPE 'T' AND SUPPORT TYPE 'T' - SECTION



Fastening Accessories





CODE

HB10200-SS

COLOR

Stainless Steel
304

DESCRIPTION

Ses Hanger bolt
M10X200mm



CODE

HB10250-SS

COLOR

Stainless Steel
304

DESCRIPTION

Ses Hanger bolt
M10X250mm



CODE

HB10300-SS

COLOR

Stainless Steel
304

DESCRIPTION

Ses Hanger bolt
M10X300mm



CODE

S1030T-SS

COLOR

Stainless Steel (DIN933)
(A2-70) 304

DESCRIPTION

SES T-BOLT SCREW,
M10X30MM



CODE

S1030H-SS

COLOR

Stainless Steel (DIN933)
(A2-70) 304

DESCRIPTION

Ses Hexagonal Screw,
M10x30mm



CODE

N10HF-SS

COLOR

Stainless Steel
304

DESCRIPTION

Ses Hexagonal Nuts With
Flange, M10



CODE

W10G-SS

COLOR

Stainless Steel (DIN127-B)
(A2-70) 304

DESCRIPTION

Ses Washer Grower,
M10


CODE

S816HC-SS

COLOR

Stainless Steel (Din912)
(A2-70) (304)

DESCRIPTION

Ses Hexagon Cylindrical
Screw, M8x16mm


CODE

S825HC-SS

COLOR

Stainless Steel (Din912)
(A2-70) (304)

DESCRIPTION

Ses Hexagon Cylindrical
Screw, M8x25mm


CODE

S830HC-SS

COLOR

Stainless Steel (Din912)
(A2-70) (304)

DESCRIPTION

Ses Hexagon Cylindrical
Screw, M8x30mm


CODE

S835HC-SS

COLOR

Stainless Steel (Din912)
(A2-70) (304)

DESCRIPTION

Ses Hexagon Cylindrical
Screw, M8x35mm


CODE

S840HC-SS

COLOR

Stainless Steel (Din912)
(A2-70) (304)

DESCRIPTION

Ses Hexagon Cylindrical
Screw, M8x40mm


CODE

S845HC-SS

COLOR

Stainless Steel (Din912)
(A2-70) (304)

DESCRIPTION

Ses Hexagon Cylindrical
Screw, M8x45mm


CODE

N8S-1313-SS

COLOR

Stainless Steel (Din557)
(A2-70) (304)

DESCRIPTION

Ses Square Nuts, M8,
13x13mm,


CODE

W8G-SS

COLOR

Stainless Steel (Din127-B)
(304)

DESCRIPTION

Ses Washer Grower, M8

Other Accessories





CODE
CGL-SS

COLOR

Stainless Steel
304

DESCRIPTION

Ses Clamps For
Grounding Lug
Photovoltaic Support



CODE

EPG-4040-SS

COLOR

Stainless Steel
304

DESCRIPTION

Ses Earth Plate
Grounding For
Solar Panel



CODE

SP-C4C-SS

COLOR

Stainless Steel
304

DESCRIPTION

Ses Solar Panel Cable
Clamps (4 Cables)



CODE

SP-2572C-20

COLOR

Block Pvc

DESCRIPTION

Ses Pvc Support
25x72.5 Mm For
Under Connection



CODE
S-U-SS

COLOR

Stainless Steel 304

DESCRIPTION

Ses Spring Type "U",
11.7x40x0.8mm



CODE

S-URS-SS

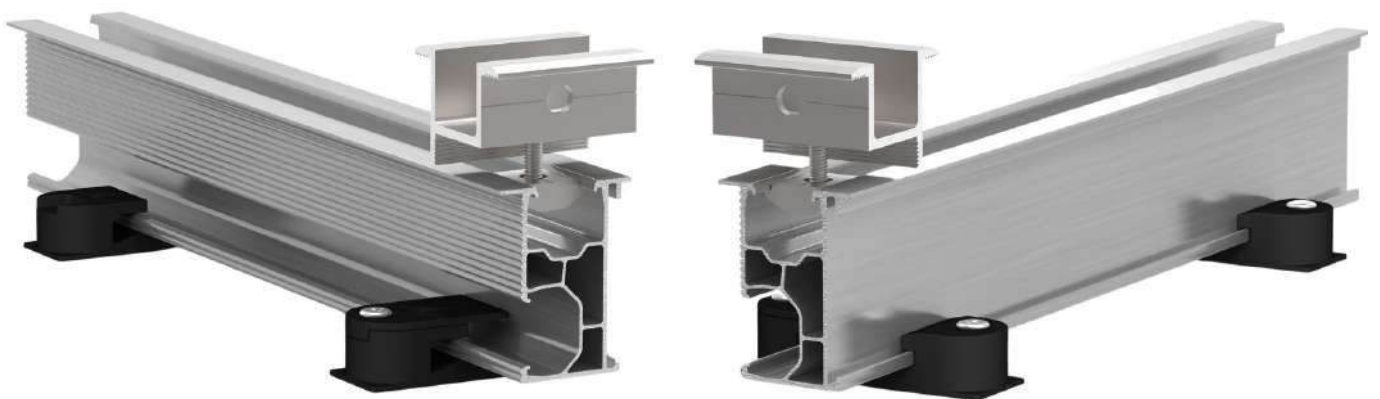
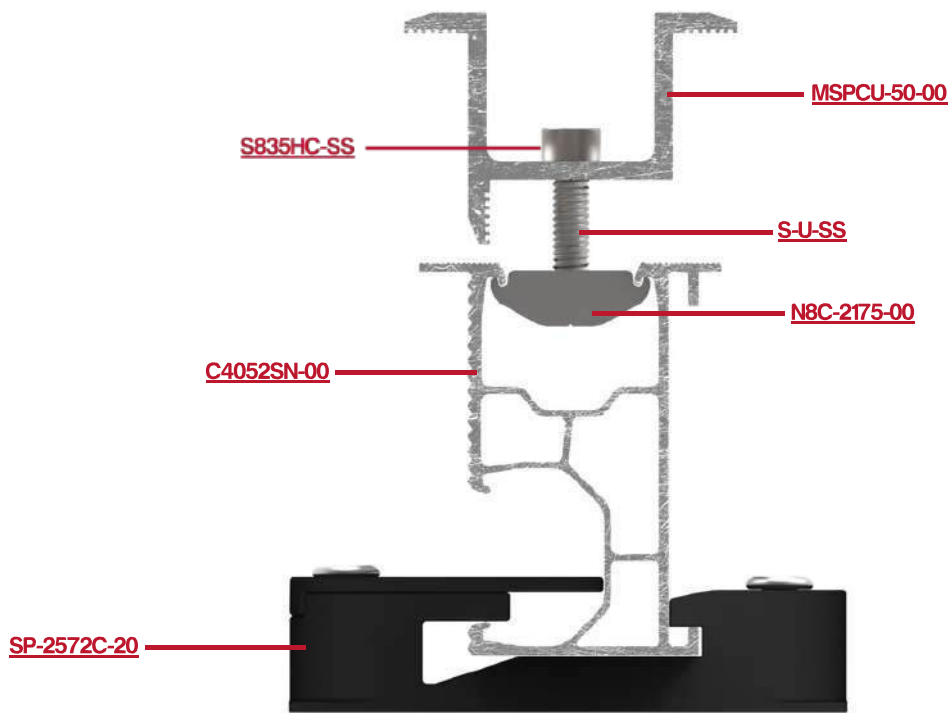
COLOR

Stainless Steel
304

DESCRIPTION

Ses Spring Type
"Urs", 9,8x27x0,6mm

'C' SERIES PROFILE ASSEMBLE
WITH PVC SUPPORT - SECTION





**Changing The World
Through Innovated Ideas**

Changing The World
Through Innovated Ideas



COMFORTEX ALUMINYUM
CAM SANAYI DIS TIC. LTD. STI.

Contact Us

Merkez Mahallesi Seckin
Sokak Dap Z Ofis No:2/4a
Iç Kapi 34 Kagithane
Istanbul/Turkiye

info@comfortex.com.tr

www.comfortex.com.tr

+90 554 374 74 74

+90 554 674 74 74



COMFORTEX ENERGY SRL

Contact Us

Strada Bucuresti Nr.60,
Comuna Frumusani,
Judetul Calarasi.

contact@comfortex-energy.ro

www.comfortex-energy.ro

+40 725 8668 686

+40 729 8668 686

