

CHANGING THE WORLD THROUGH INNOVATED IDEAS



comfortex.com.tr



Cer No:01/13827/01-1
Production, Sales and
Export of Glass
Products for Constructions



Cer No:01/13827/01-1
Design, Production, Sales and
Export of Aluminium Profiles



Dear Valued Clients,

We are pleased to introduce Comfortex Holding as your esteemed and dependable solution partner, with a notable track record spanning 20 years in the sector. Our steadfast commitment to serving you and ensuring a renewable and sustainable future has been the driving force behind our success.

At Comfortex Holding, we consistently strive for excellence, placing significant emphasis on valuing nature, envisioning the future, and fostering innovation. Our extensive range of practical solutions caters to the energy needs of individuals not only within Europe and Turkey but also globally. We take great pride in presenting our distinguished assembly series, a European design patent that guarantees the highest quality standards, meticulously crafted by our team of solar energy system specialists.

Furthermore, we are pleased to announce our official distributorship of JA Solar, a globally renowned leader in panel manufacturing. This strategic collaboration empowers us to take even more confident strides towards a promising future.

Rest assured, our unwavering commitment to delivering exceptional quality and impeccable service in the energy sector remains steadfast. As we continue to embrace the sun as a beacon of hope for the future, we invite you to embark on this journey with Comfortex, where trust and experience converge.

We sincerely appreciate your continued support.

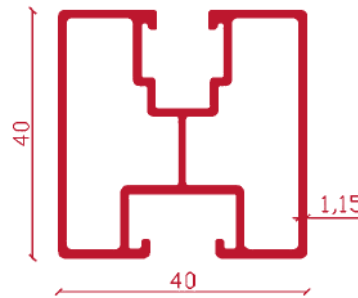
Warm regards,

**We manufacture
and support
solar energy
systems.**

S Series



Enhancing the market's premier series with an array of distinctive connection options. Unveiling the pinnacle of market desirability, now enriched with a variety of connection options. Showcasing the essence of market charm, amplified by varied connection options. Including Square Nuts, T-bolt secured, Hexagon screw secured, EPDM secured Mini-rails for Sandwich panel roofs, Angle 'L-U', and C2275T auxiliary connection profiles.

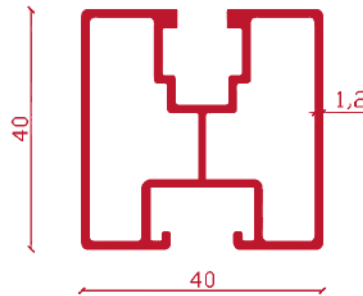


CFT - 9307

CODE
SS4040UH-00

COLOR
Mill Finished
Anodized
Ral

DESCRIPTION
Ses "S" Series, Al. Profile 40x40mm, Small, Under Connection With Screw M10h.

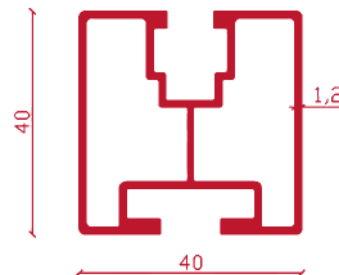
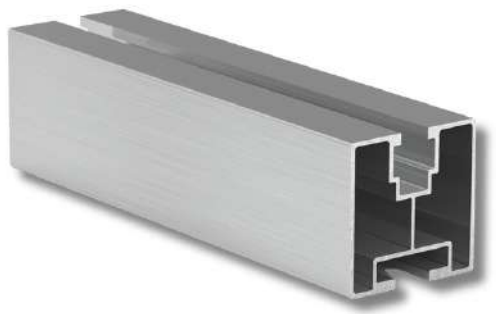


CFT - 8992

CODE
S4040UH-00

COLOR
Mill Finished
Anodized
Ral

DESCRIPTION
Ses "S" Series, Al. Profile 40x40mm, Under Connection With Screw M10h.

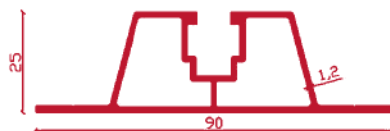


CFT - 8998

CODE
S4040UT-00

COLOR
Mill Finished
Anodized
Ral

DESCRIPTION
Ses "S" Series, Al. Profile 40x40mm, Under Connection With Screw M10t.

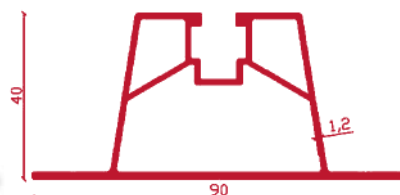

CFT - 9296
CODE

S4025W-00

COLOR

 Mill Finished
 Anodized
 Ral

DESCRIPTION

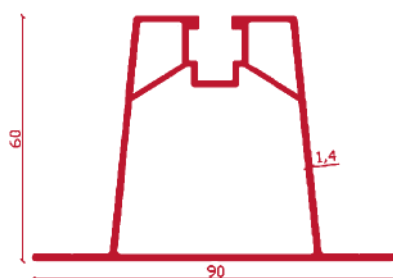
 Ses "S" Series, Mini Rail
 Al. Profile 40x25mm, With
 Wings.

CFT - 9297
CODE

S4040W-00

COLOR

 Mill Finished
 Anodized
 Ral

DESCRIPTION

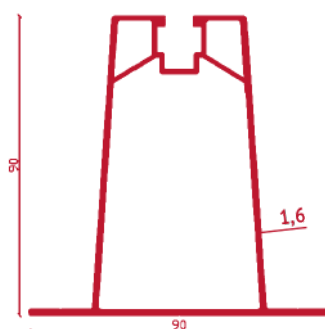
 Ses "S" Series, Mini Rail
 Al. Profile 40x40mm, With
 Wings.

CFT - 9298
CODE

S4060W-00

COLOR

 Mill Finished
 Anodized
 Ral

DESCRIPTION

 Ses "S" Series, Mini Rail
 Al. Profile 40x60mm, With
 Wings.

CFT - 9299
CODE

S4090W-00

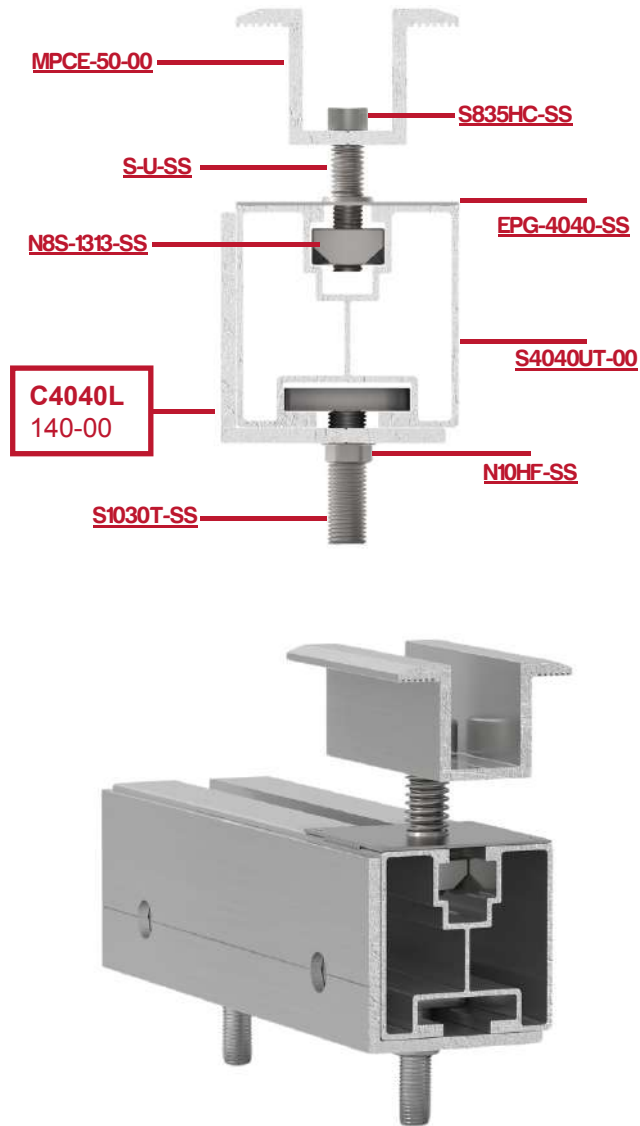
COLOR

 Mill Finished
 Anodized
 Ral

DESCRIPTION

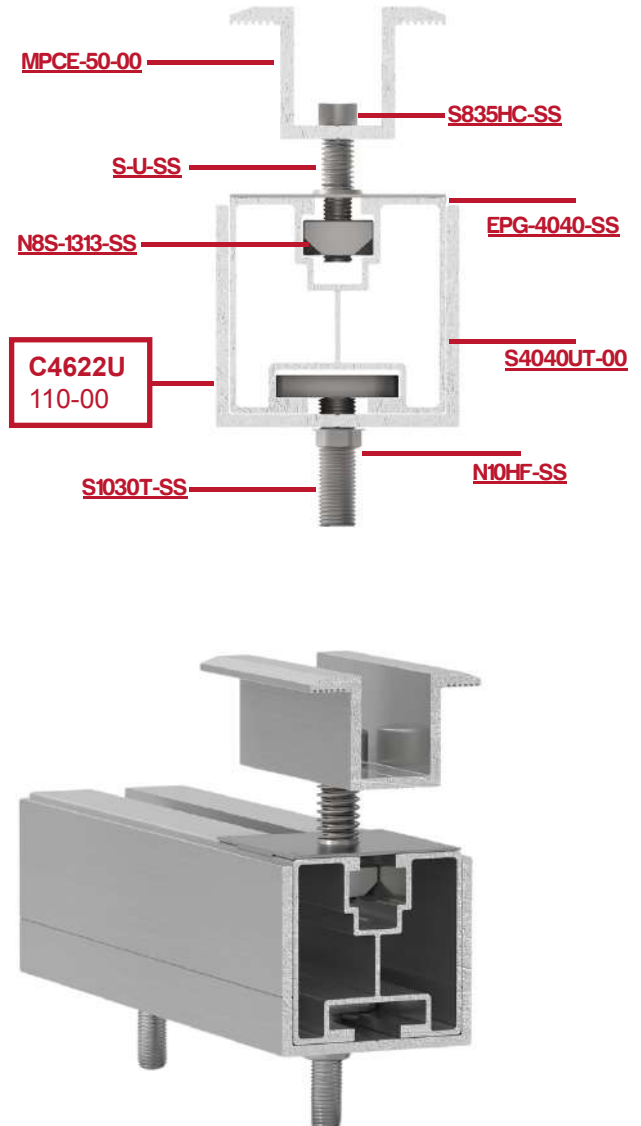
 Ses "S" Series, Mini Rail
 Al. Profile 40x90mm, With
 Wings.

'S' SERIES PROFILE ASSEMBLY WITH CONNECTION TYPE 'L' - SECTION



■ "S" Series Mini Rail For Sandwich Panel

'S' SERIES PROFILE ASSEMBLY WITH CONNECTION TYPE 'U' - SECTION

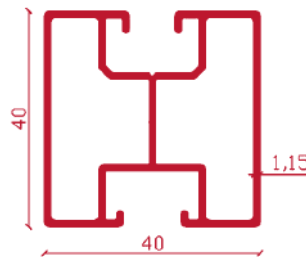


■ "S" Series Mini Rail With Epdm For Sandwich Panel

R Series



Redefining market expectations for standard series with the Comfortex touch. Including Roll-in T or Square nuts, T-bolt secured, Hexagon screw secured, EPDM secured Mini-rails for Sandwich panel roofs, Angle 'L - U', and C2275T auxiliary connection profiles.



CFT - 9308

CODE

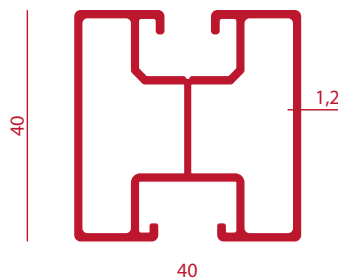
RRS4040UH-00

COLOR

Mill Finished
Anodized
Ral

DESCRIPTION

Ses "R" Series, Al. Profile 40x40mm, Extra Reinforcement, Under Connection With Screw M10h.



CFT-9026

CODE

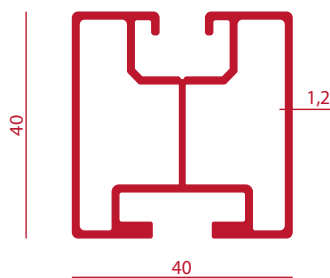
RR4040UH-00

COLOR

Mill Finished
Anodized
Ral

DESCRIPTION

Ses "R" Series, Al. Profile 40x40mm, Extra Reinforcement, Under Connection With Screw M10h.



CFT-9027

CODE

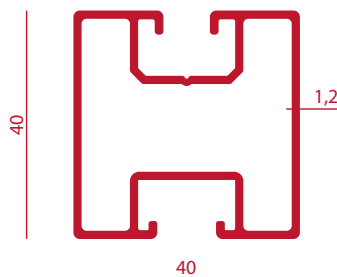
RR4040UT-00

COLOR

Mill Finished
Anodized
Ral

DESCRIPTION

Ses "R" Series, Al. Profile 40x40mm, Extra Reinforcement, Under Connection With Screw M10t.


CFT-9002
CODE

R4040UH-00

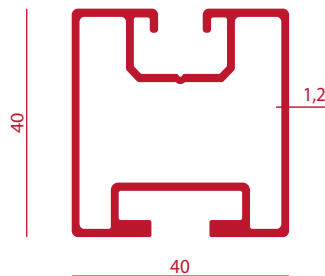
COLOR

Mill Finished
Anodized

Ral

DESCRIPTION

Ses "R" Series, Al. Profile 40x40mm, Under Connection With Screw M10h.


CFT-9003
CODE

R4040UDT-00

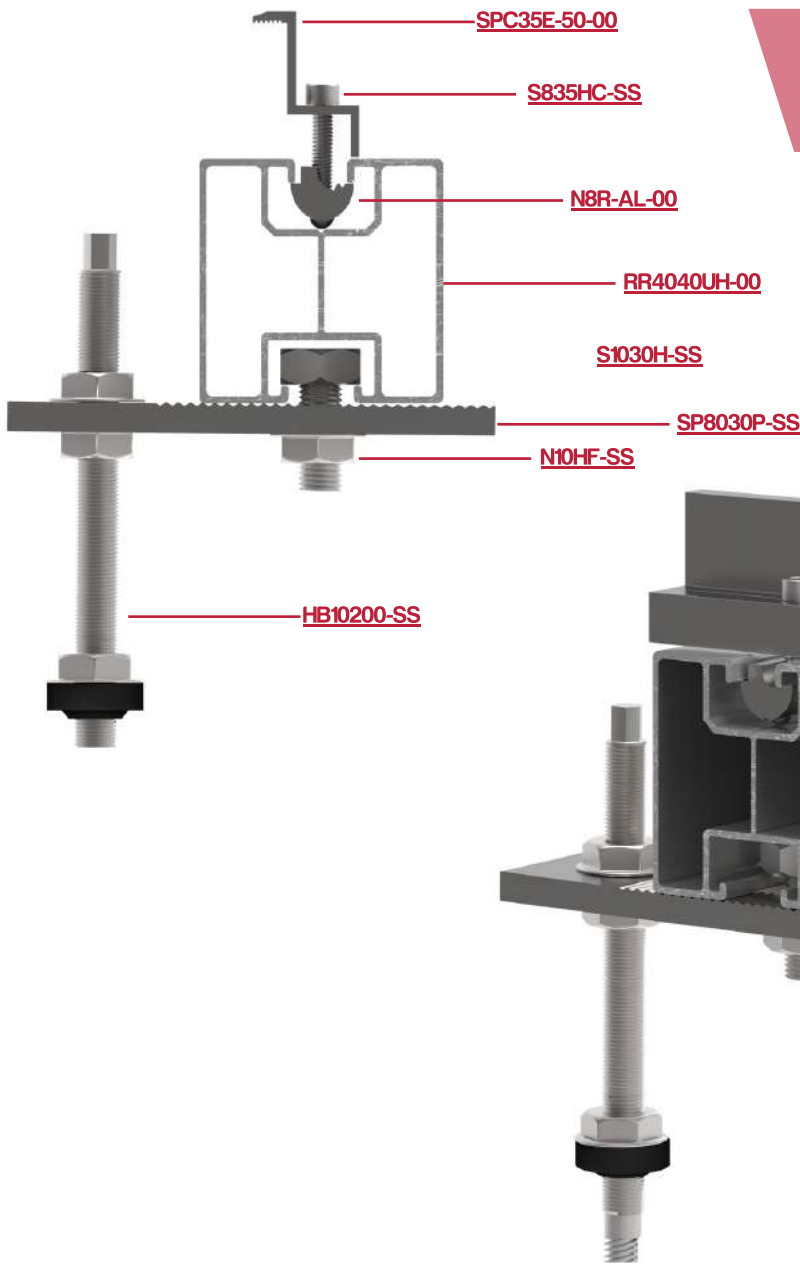
COLOR

Mill Finished
Anodized

Ral

DESCRIPTION

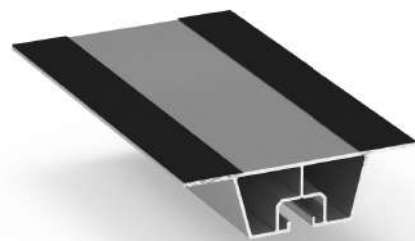
Ses "R" Series, Al. Profile 40x40mm, Under Connection With Screw M10t.



'R' SERIES PROFILE ASSEMBLY WITH HANGER BOLT AND SUPPORT TYPE 'P' - SECTION



■ "R" Series Mini Rail For Sandwich Panel



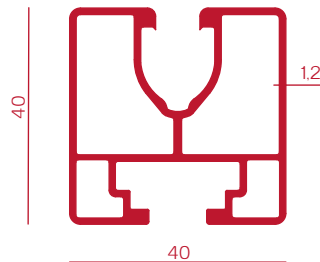
■ "R" Series Mini Rail With Epdm For Sandwich Panel

We manufacture
and support
solar energy
systems.

U Series



The hybrid model of R and S series: Seamlessly integrate all options in a single profile. Side Connection option, Roll-in T or Square nuts, T-bolt or Hexagon screw secured, EPDM secured Minirails for Sandwich panels roofs, Angle 'L' and 'U' connection auxiliary profiles.



CFT-8969

CODE

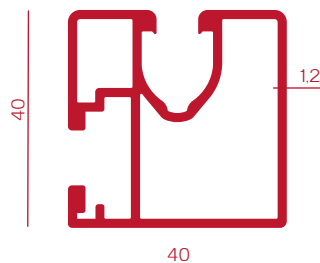
U4040UDTH-00

COLOR

Mill Finished
Anodized
Ral

DESCRIPTION

Ses "U" Series, Al. Profile 40x40mm, Under Connection With Screw M10th.



CFT-9004

CODE

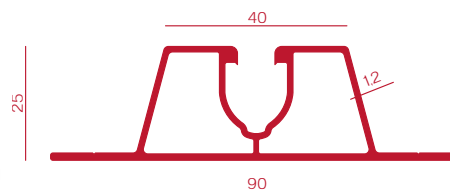
U4040STH-00

COLOR

Mill Finished
Anodized
Ral

DESCRIPTION

Ses "U" Series, Al. Profile 40x40mm, Side Connection With Screw M10th.



CFT-8993

CODE

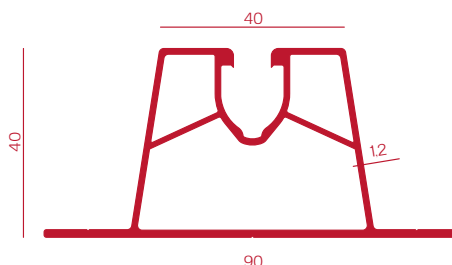
U4025W-00

COLOR

Mill Finished
Anodized
Ral

DESCRIPTION

Ses "U" Series, Mini Rail Al. Profile 40x25mm.

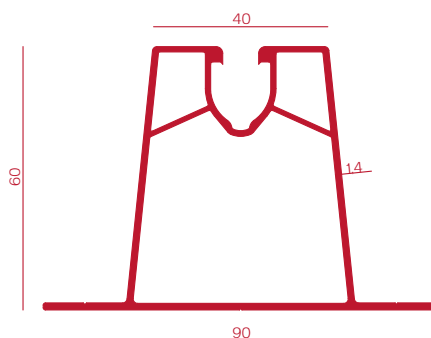

CFT-8995
CODE

U4040W-00

COLOR

 Mill Finished
 Anodized
 Ral

DESCRIPTION

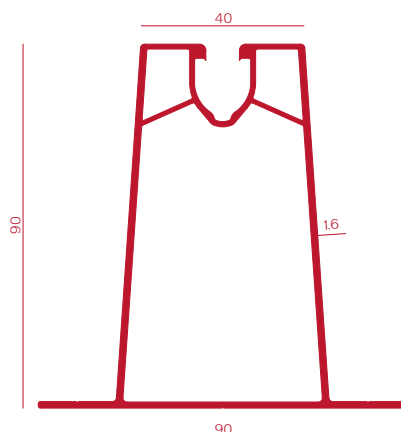
 Ses "U" Series, Mini Rail
 Al. Profile 40x40mm, With
 Wings.

CFT-9000
CODE

U4060W-00

COLOR

 Mill Finished
 Anodized
 Ral

DESCRIPTION

 Ses "U" Series, Mini Rail
 Al. Profile 40x60mm.

CFT-8994
CODE

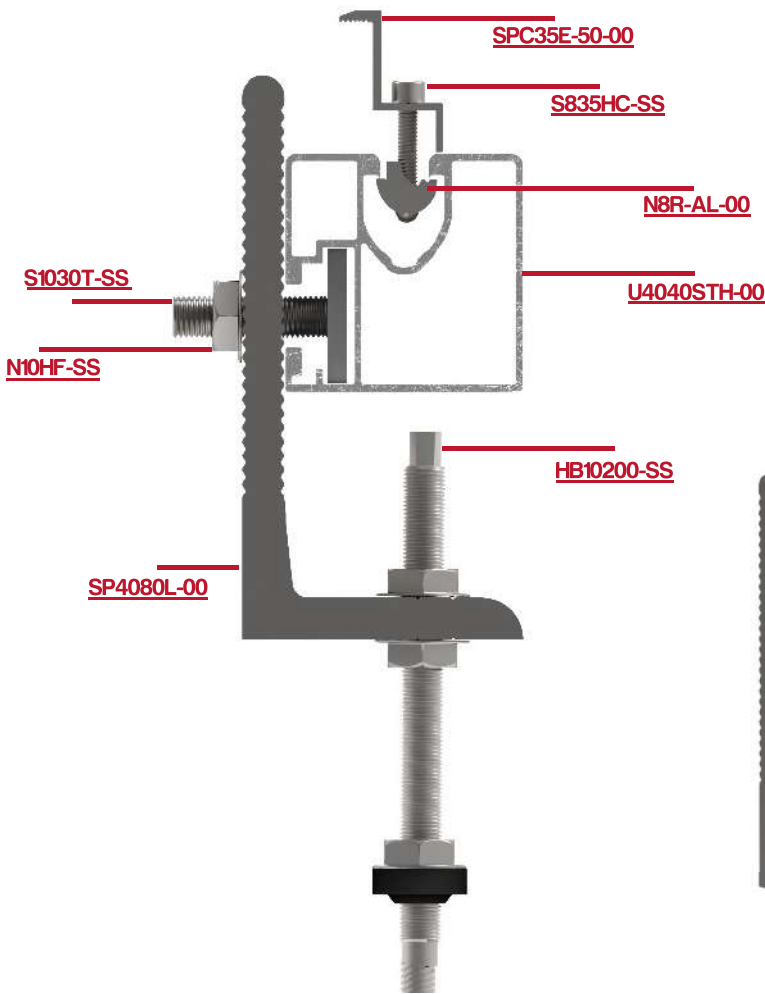
U4090W-00

COLOR

 Mill Finished
 Anodized
 Ral

DESCRIPTION

 Ses "U" Series, Mini Rail
 Al. Profile 40x90mm, With
 Wings.



'U' SERIES PROFILE ASSEMBLY WITH HANGER BOLT AND SUPPORT TYPE 'L' - SECTION



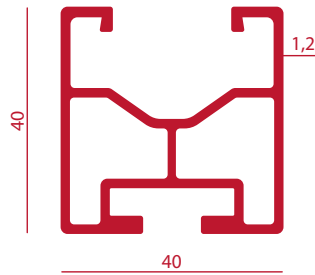
■ "U" Series Mini Rail For Sandwich Panel



■ "U" Series Mini Rail With Epdm For Sandwich Panel

H Series



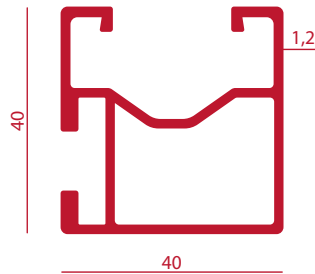


CFT - 9040

CODE
H4040UT-00

COLOR
Mill Finished
Anodized
Ral

DESCRIPTION
Ses "H" Series, Al. Profile 40x40mm, Under Connection With Screw M10t.

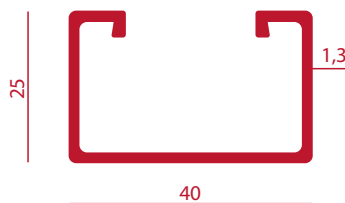


CFT - 9035

CODE
H4040ST-00

COLOR
Mill Finished
Anodized
Ral

DESCRIPTION
Ses "H" Series, Al. Profile 40x40mm, Side Connection With Screw M10t.

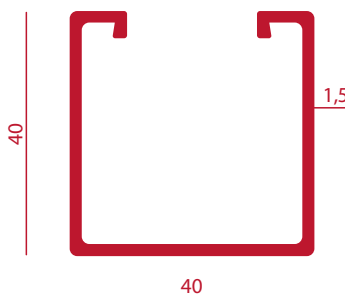


CFT - 9041

CODE
H4025M-00

COLOR
Mill Finished
Anodized
Ral

DESCRIPTION
Ses "H" Series, Mini Rail Al. Profile 40x25mm, With Median Connection.

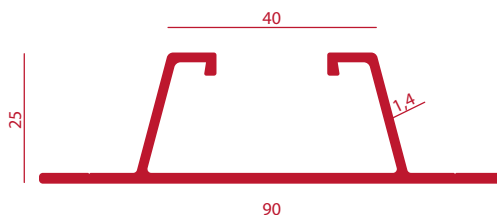


CFT - 9045

CODE
H4040M-00

COLOR
Mill Finished
Anodized
Ral

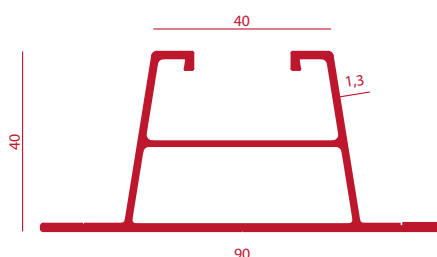
DESCRIPTION
Ses "H" Series, Mini Rail Al. Profile 40x40mm, With Median Connection.


CFT - 9049

CODE
H4025W-00

COLOR
Mill Finished
Anodized
Ral

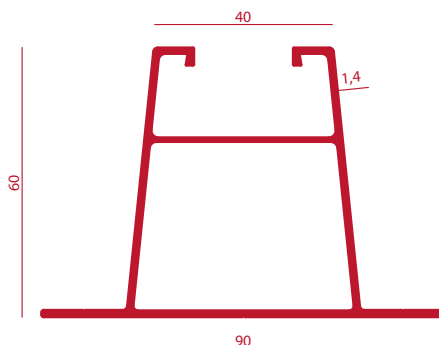
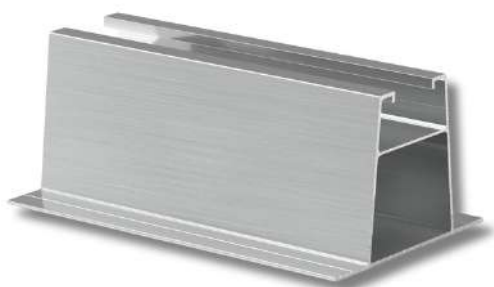
DESCRIPTION
Ses "H" Series, Mini Rail
Al. Profile 40x25mm, With
Wings.


CFT - 9043

CODE
H4040W-00

COLOR
Mill Finished
Anodized
Ral

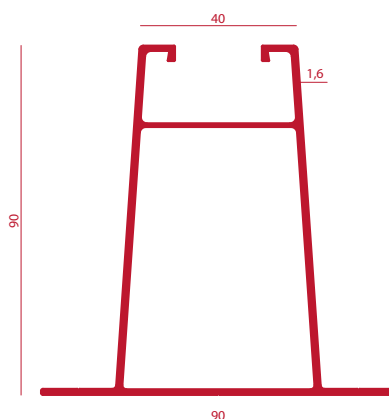
DESCRIPTION
Ses "H" Series, Mini Rail
Al. Profile 40x40mm, With
Wings.


CFT - 9042

CODE
H4060W-00

COLOR
Mill Finished
Anodized
Ral

DESCRIPTION
Ses "H" Series, Mini Rail
Al. Profile 40x60mm, With
Wings.

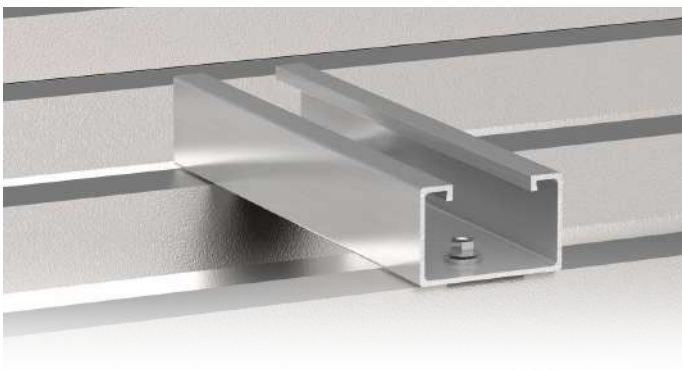
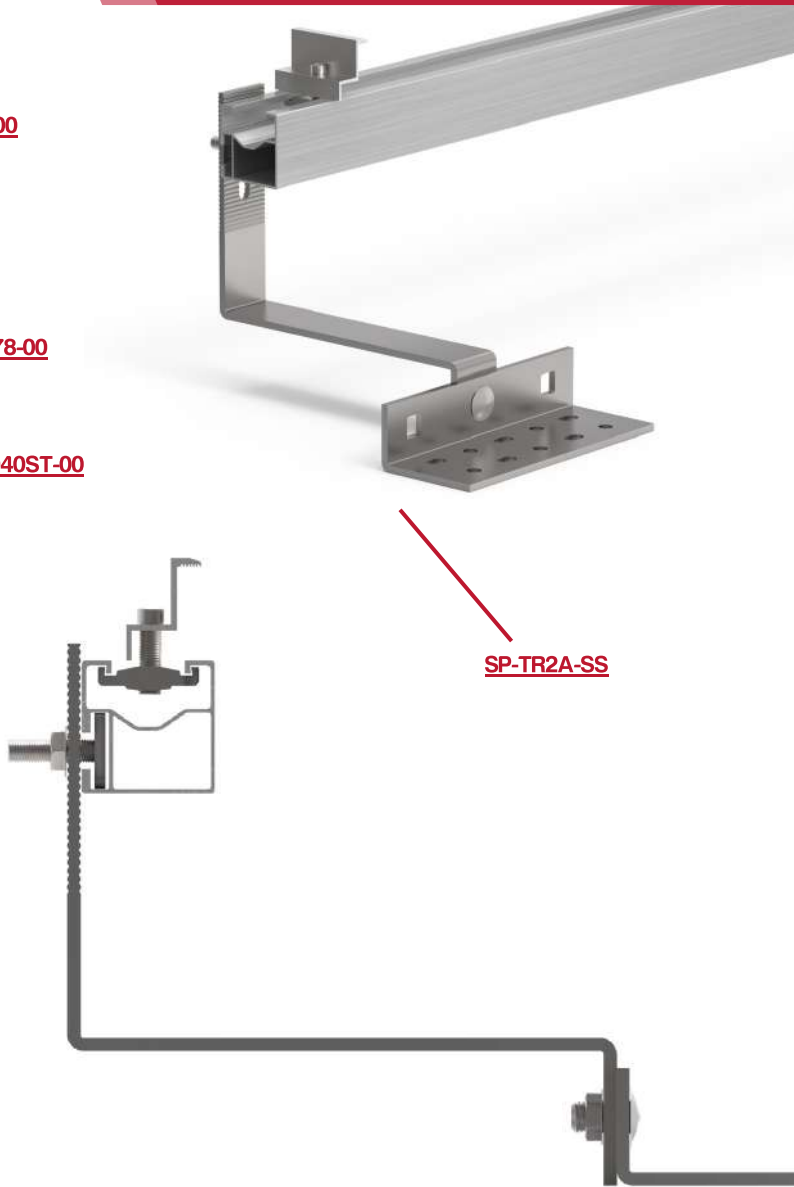
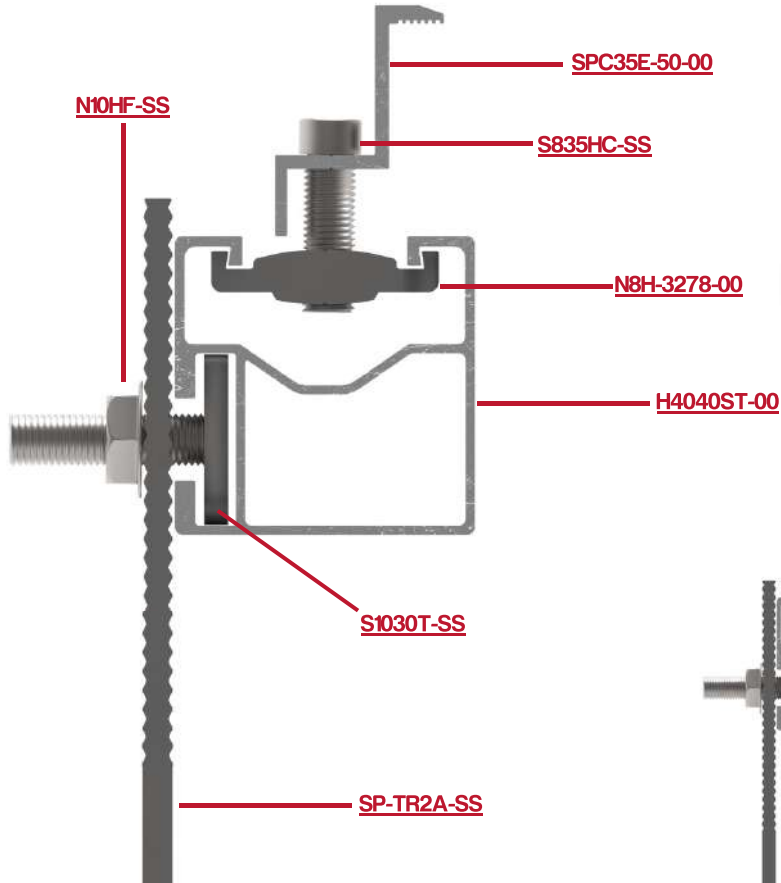

CFT - 9044

CODE
H4090W-00

COLOR
Mill Finished
Anodized
Ral

DESCRIPTION
Ses "H" Series, Mini Rail
Al. Profile 40x90mm, With
Wings.

'H' SERIES PROFILE ASSEMBLY WITH HOOK - SECTION



■ "H" Series Mini Rail For Sandwich Panel



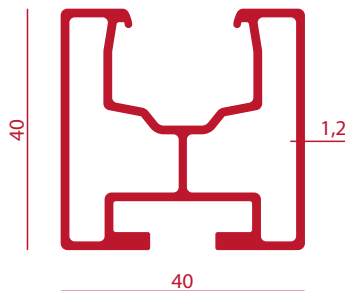
■ "H" Series Mini Rail With Epdm For Sandwich Panel

We manufacture
and support
solar energy
systems.

CS Series



Effortless installation with the Comfortex connection system. Side Connection option, Comfortex N8C connection, T-bolt connection, EPDM secured Minirails for Sandwich panels roofs, Angle 'L - U' and C2275T auxiliary connection profiles.

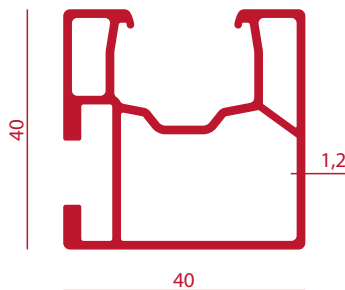


CFT-8987

CODE
CS4040UT-00

COLOR
Mill Finished
Anodized
Ral

DESCRIPTION
Ses "CS" Series, Al. Profile 40x40mm, Under Connection With Screw M10t.

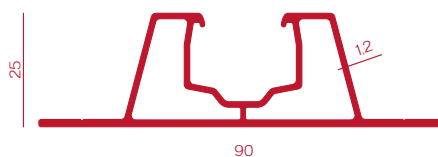


CFT-8996

CODE
CS4040ST-00

COLOR
Mill Finished
Anodized
Ral

DESCRIPTION
Ses "CS" Series, Al. Profile 40x40mm, Side Connection With Screw M10t.

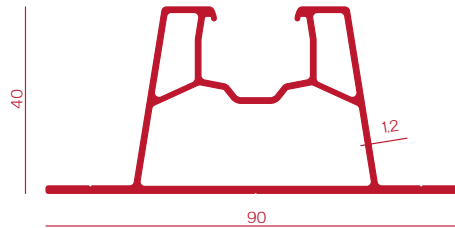
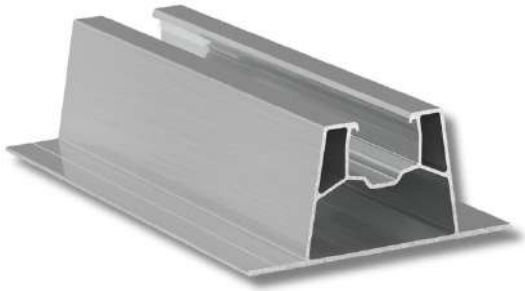


CFT-8986

CODE
CS4025W-00

COLOR
Mill Finished
Anodized
Ral

DESCRIPTION
Ses "CS" Series, Mini Rail Al. Profile 40x25mm, With Wings.

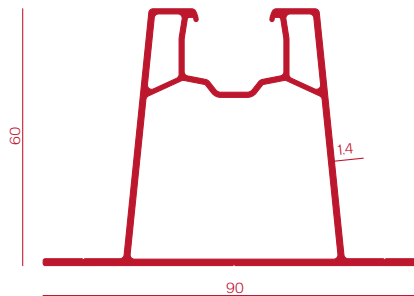

CFT-8997

CODE
CS4040W-00

COLOR
Mill Finished
Anodized
Ral

DESCRIPTION

Ses "CS" Series, Mini Rail
Al. Profile 40x40mm, With
Wings.

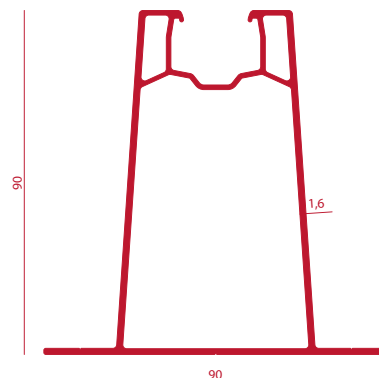

CFT-8985

CODE
CS4060W-00

COLOR
Mill Finished
Anodized
Ral

DESCRIPTION

Ses "CS" Series, Mini Rail
Al. Profile 40x60mm, With
Wings.

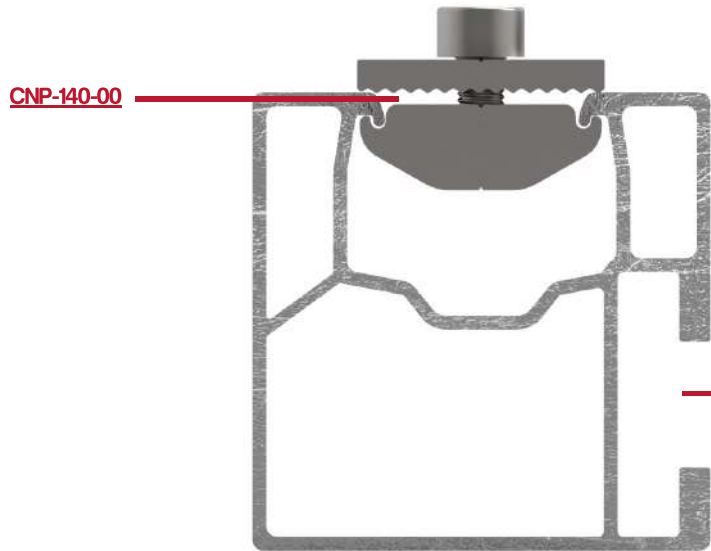

CFT-8990

CODE
CS4090W-00

COLOR
Mill Finished
Anodized
Ral

DESCRIPTION

Ses "CS" Series, Mini Rail
Al. Profile 40x90mm, With
Wings.

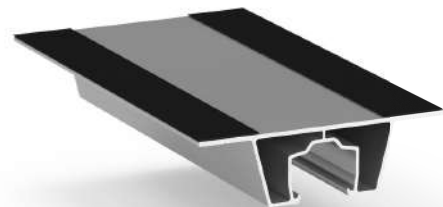


'CS' SERIES PROFILE ASSEMBLE
WITH CONNECTION TYPE 'NP' - SECTION

CS4040ST-00



■ "CS" Series Mini Rail For Sandwich Panel

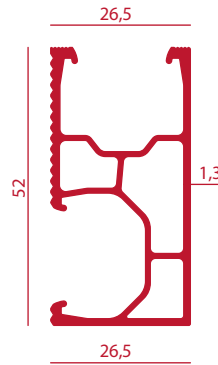


■ "CS" Series Mini Rail With Epdm For Sandwich Panel

Series C



Quick, sturdy, and adjustable series with Comfortex connection system. Side Connection option, T-bolt or Comfortex N8C connection, EPDM secured Minirails for Sandwich panel roofs, C498D, C2215C, C2275T and CNP auxiliary connection profiles.



CFT-9025

CODE

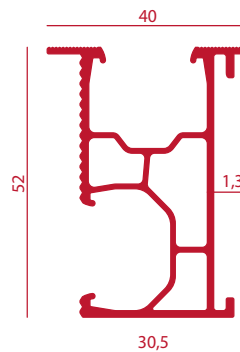
C2652SN-00

COLOR

Mill Finished
Anodized
Ral

DESCRIPTION

Ses "C" Series, Al. Profile 26x52mm, Side Connection With Nut N8c-2175.



CFT-8938

CODE

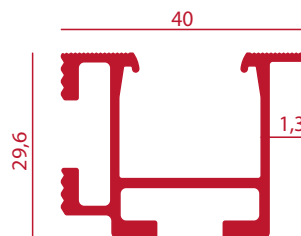
C40525N-00

COLOR

Mill Finished
Anodized
Ral

DESCRIPTION

Ses "C" Series, Al. Profile 40x52mm, Side Connection With Nut N8c-2175.



CFT-9028

CODE

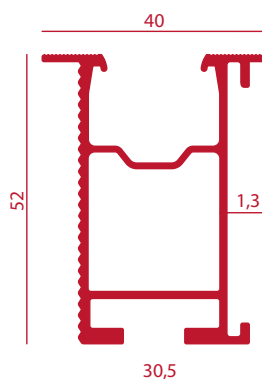
C4030UST-00

COLOR

Mill Finished
Anodized
Ral

DESCRIPTION

Ses "C" Series, Al. Profile 40x30mm, Side-Under Connection With Screw M10t.


CFT-8982
CODE

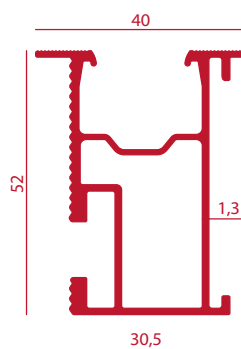
C4052UT-00

COLOR

 Mill Finished
 Anodized
 Ral

DESCRIPTION

Ses "C" Series, Al. Profile 40x52mm, Under Connection With Screw M10t.


CFT-8977
CODE

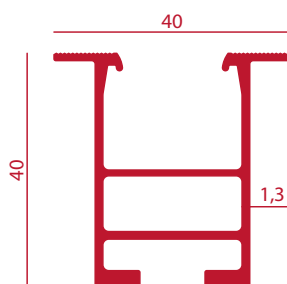
C4052ST-00

COLOR

 Mill Finished
 Anodized
 Ral

DESCRIPTION

Ses "C" Series, Al. Profile 40x52mm, Side Connection With Screw M10t.


CFT-8988
CODE

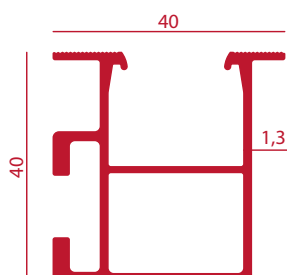
C4040UT-00

COLOR

 Mill Finished
 Anodized
 Ral

DESCRIPTION

Ses "C" Series, Al. Profile 40x40mm, Under Connection With Screw M10t.


CFT-8973
CODE

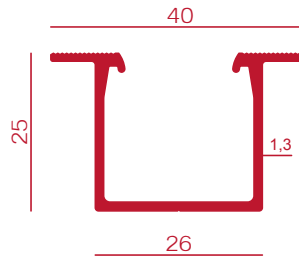
C4040ST-00

COLOR

 Mill Finished
 Anodized
 Ral

DESCRIPTION

Ses "C" Series, Al. Profile 40x40mm, Side Connection With Screw M10t.

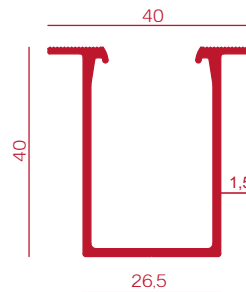


CFT-8972

CODE
C4025M-00

COLOR
Mill Finished
Anodized
Ral

DESCRIPTION
Ses "C" Series, Mini Rail
Al. Profile 40x25mm, With
Median Connection, Mill
Finished

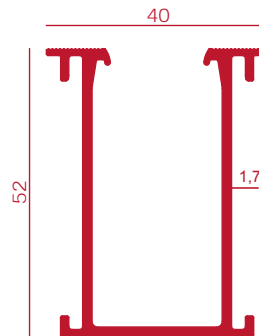


CFT-8976

CODE
C4040M-00

COLOR
Mill Finished
Anodized
Ral

DESCRIPTION
Ses "C" Series, Mini Rail
Al. Profile 40x40mm,
With Median Connection.

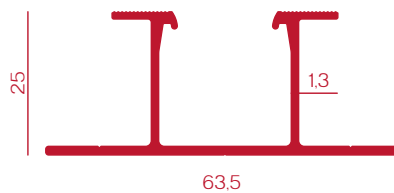


CFT-9011

CODE
C4052M-00

COLOR
Mill Finished
Anodized
Ral

DESCRIPTION
Ses "C" Series, Mini Rail
Al. Profile 40x52mm, With
Median Connection, Mill
Finished

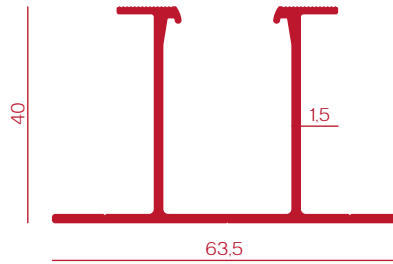


CFT-8979

CODE
C4025W-00

COLOR
Mill Finished
Anodized
Ral

DESCRIPTION
Ses "C" Series, Mini Rail
Al. Profile 40x25mm,
With Wings.

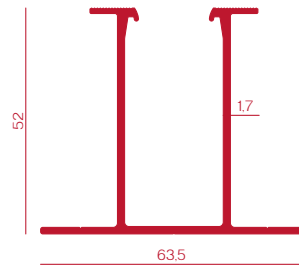

CFT-8975
CODE

C4040W-00

COLOR

 Mill Finished
 Anodized
 Ral

DESCRIPTION

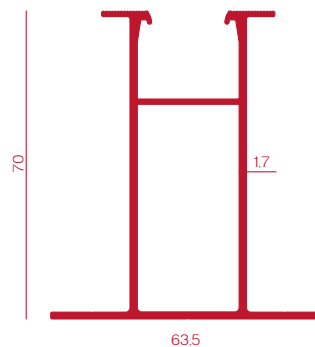
 Ses "C" Series, Mini Rail
 Al. Profile 40x40mm, With
 Wings, Mill Finished

CFT-8974
CODE

C4052W-00

COLOR

 Mill Finished
 Anodized
 Ral

DESCRIPTION

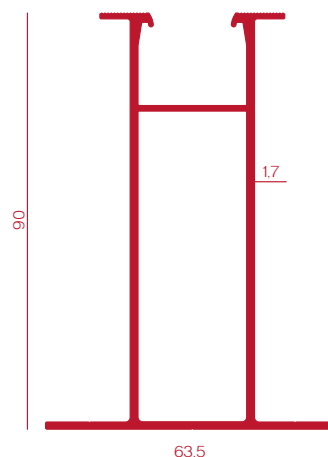
 Ses "C" Series, Mini Rail
 Al. Profile 40x52mm, With
 Wings.

CFT-8965
CODE

C4070W-00

COLOR

 Mill Finished
 Anodized
 Ral

DESCRIPTION

 Ses "C" Series, Mini Rail
 Al. Profile 40x70mm, With
 Wings, Mill Finished

CFT-8983
CODE

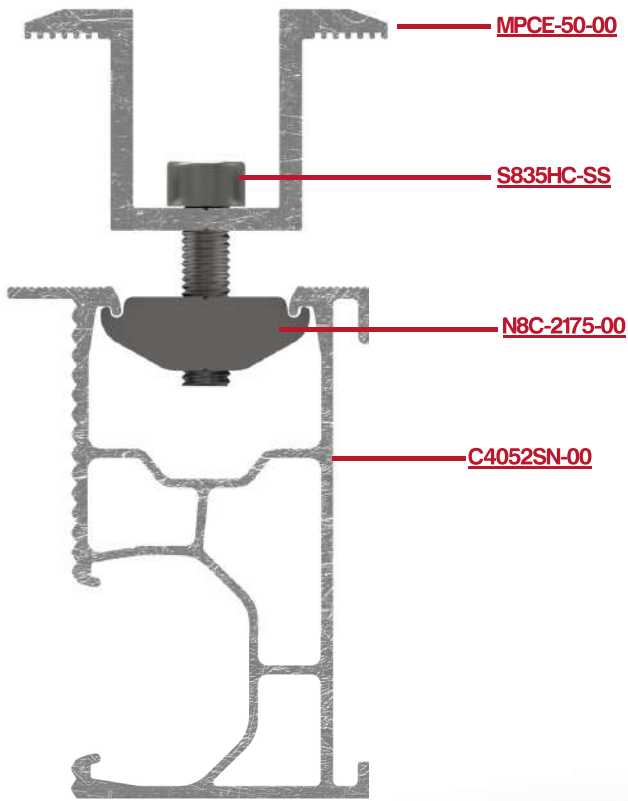
C4090W-00

COLOR

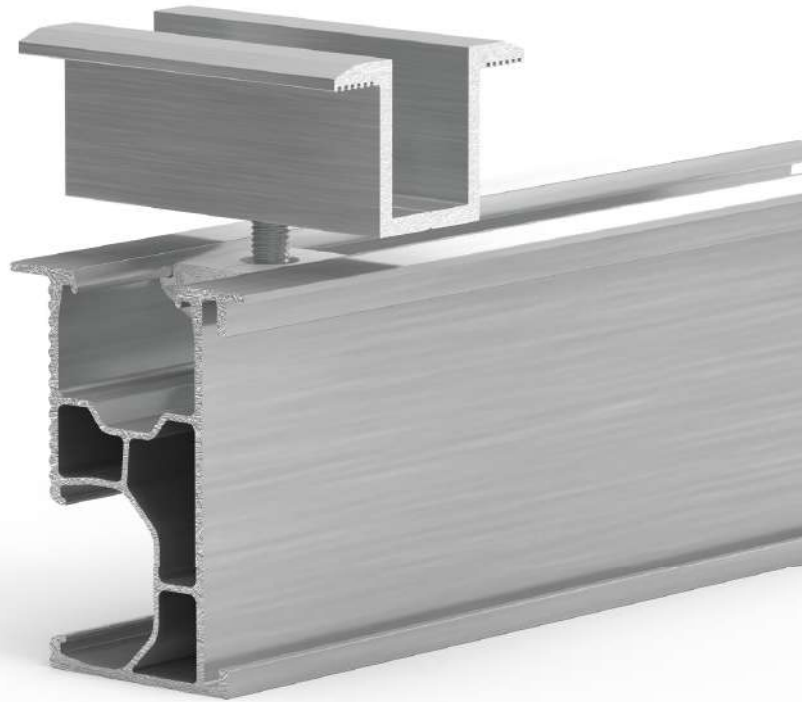
 Mill Finished
 Anodized
 Ral

DESCRIPTION

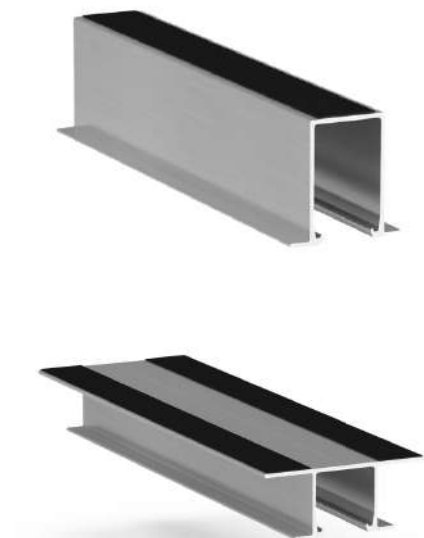
 Ses "C" Series, Mini Rail
 Al. Profile 40x90mm, With
 Wings.



**'C' SERIES PROFILE ASSEMBLY
SPECIAL NUT AND MIDDLE
CLAMP - SECTION**



■ "C" Series Mini Rail For Sandwich Panel



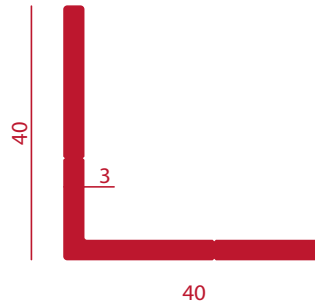
■ "C" Series Mini Rail With Epdm For Sandwich Panel

Profile Standard - Nuts





CODE
TRIANGLE



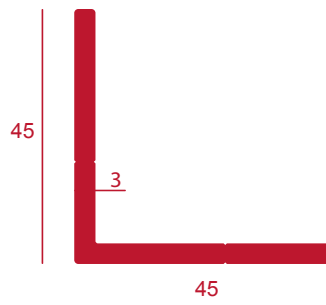
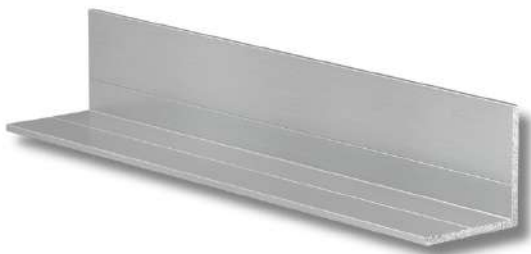
CODE
L40403-00

COLOR
Mill Finished
Anodized
Ral

DESCRIPTION

Ses "L" Series, Al. Profile
40x40x3mm,

CFT-8981



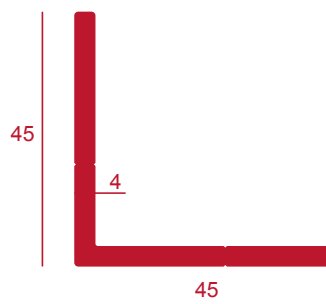
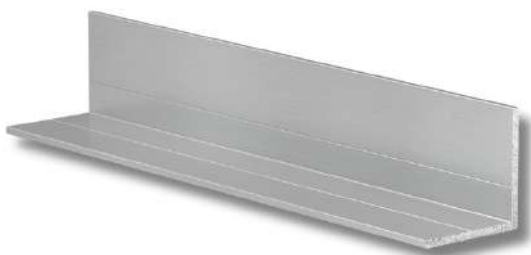
CODE
L45453-00

COLOR
Mill Finished
Anodized
Ral

DESCRIPTION

Ses "L" Series, Al. Profile
45x45x3mm,

CFT - 45453



CODE
L45454-00

COLOR
Mill Finished
Anodized
Ral

DESCRIPTION

Ses "L" Series, Al. Profile
45x45x3mm,

CFT - 45454

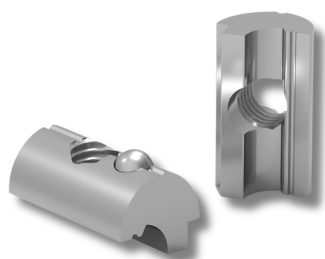

CFT-8937
CODE
N8C-2175-00

COLOR
Aluminium, Mill
Finished

DESCRIPTION
Ses Series "C" Nuts, M8,
21x7,5mm.

CFT-7769
CODE
N8H-3278-00

COLOR
Aluminium, Mill
Finished

DESCRIPTION
Ses Series "H" Nuts, M8,
32x7,8mm.

CODE
N8R-AL-00

COLOR
Aluminium, Mill
Finished

DESCRIPTION
Ses Roll-In T Nuts, M8.

CODE
NBS-1313-SS

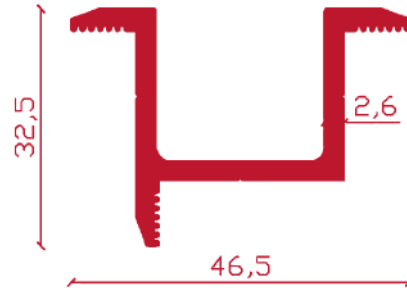
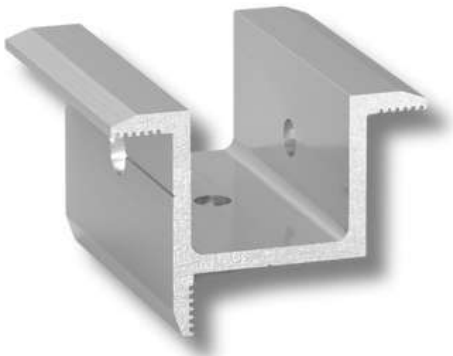
COLOR
Stainless Steel (Din557)
(A2-70) (304)

DESCRIPTION
Ses Square Nuts, M8,
13x13mm.

We manufacture
and support
solar energy
systems.

Panel Clamps



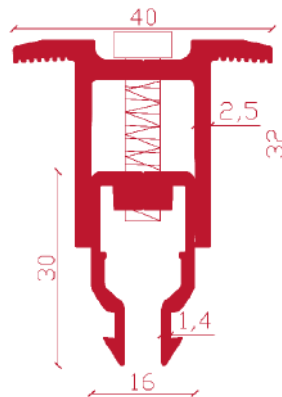

CFT - 9103

CODE
MSPCU-50-00

COLOR
Aluminium, Mill
Finished

DESCRIPTION

Ses Series "U" Middle Clamps, For 30mm, 35mm, 40mm Panels, Side Clamp For 30mm, 35mm Panels, L=50mm.

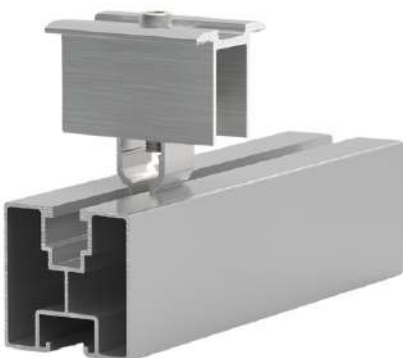

CFT - 9468, 9469

CODE
MSPC-URS-50-00

COLOR
Aluminium, Mill
Finished

DESCRIPTION

Ses Seies "U-R-S" Middle Clamps, For 30mm, 35mm, 40mm Panels, Side Clamp For 30mm, 35mm, 40mm Panels, L=50mm.



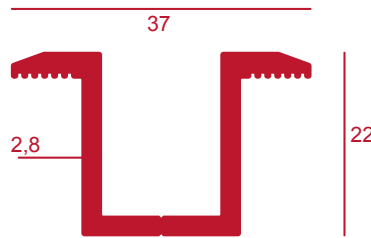
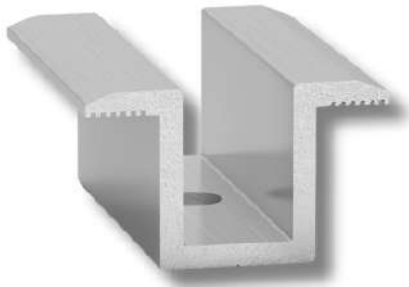
**'S' SERIES PROFILE ASSEMBLE
WHIT CLICK CLAMP**



**'U' SERIES PROFILE ASSEMBLE
WHIT CLICK CLAMP**



**'R' SERIES PROFILE ASSEMBLE
WHIT CLICK CLAMP**

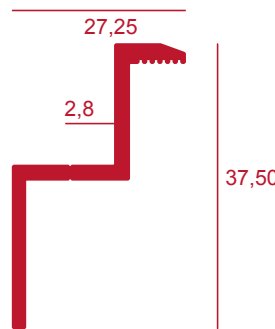
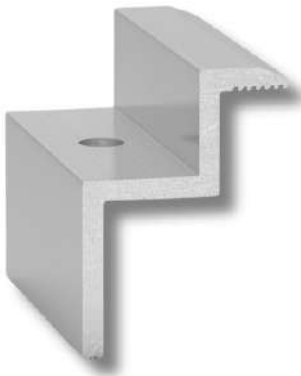


CFT - 9448

CODE
MPCE-50-00

COLOR
Aluminium, Mill
Finished

DESCRIPTION
Ses Series "E" Middle
Clamps, For 30mm,
35mm, 40mm Panels,
L=50mm,

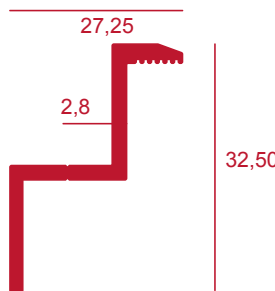


CFT - 9449

CODE
SPC30E-50-00

COLOR
Aluminium, Mill
Finished

DESCRIPTION
Ses Series "E" Side
Clamp, For 30mm Panels,
L= 50mm,

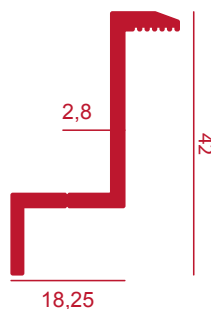


CFT - 9450

CODE
SPCA35-50-00

COLOR
Aluminium, Mill
Finished

DESCRIPTION
Ses Series "E" Side
Clamp, For 35mm Panels,
L= 50mm,

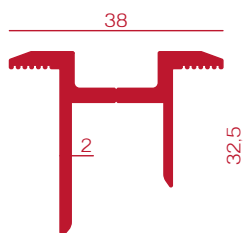


CFT-7766

CODE
SPCA40-50-00

COLOR
Aluminium, Mill
Finished

DESCRIPTION
Ses Series "E" Side
Clamp, For 40mm Panels,
L= 50mm,


CFT-8980
CODE

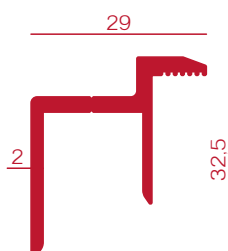
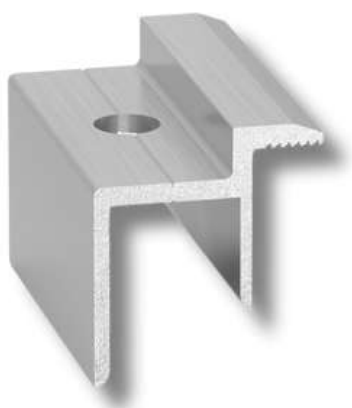
MPCD-50-00

COLOR

Aluminium, Mill
Finished

DESCRIPTION

Ses Series "D" Middle Clamps, For 30mm, 35mm, 40mm Panels, L=50mm.


CFT-8989
CODE

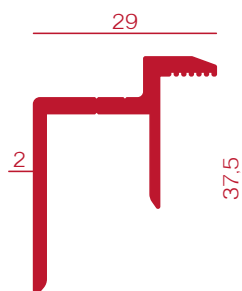
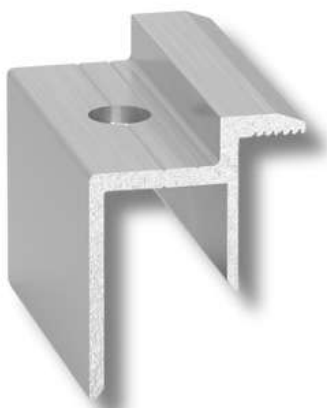
SPC30D-50-00

COLOR

Aluminium, Mill
Finished

DESCRIPTION

Ses Series "D" Side Clamp, For, 30mm Panels, L= 50mm.,


CFT-8984
CODE

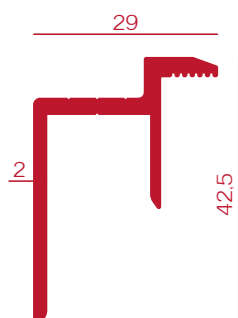
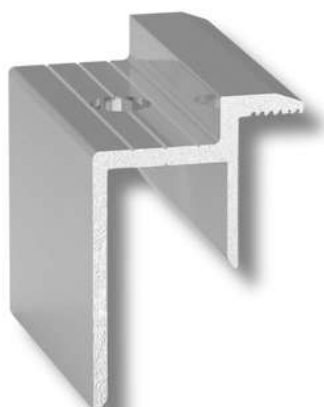
SPC35D-50-00

COLOR

Aluminium, Mill
Finished

DESCRIPTION

Ses Series "D" Side Clamp, For 35mm Panels, L= 50mm.


CFT-8978
CODE

SPC40D-50-00

COLOR

Aluminium, Mill
Finished

DESCRIPTION

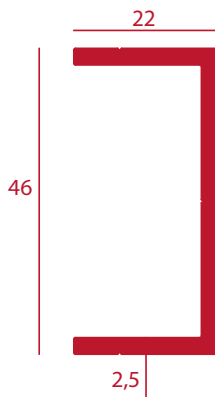
Ses Series "D" Side Clamp, For 40mm Panels, L= 50mm.

We manufacture
and support
solar energy
systems.



Connection Accessories



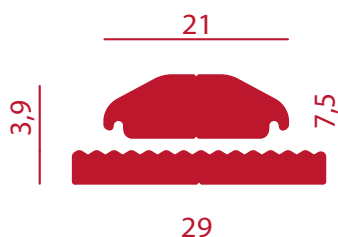

CFT - 9146
CODE

C4622U-110-00

COLOR

 Aluminium, Mill
Finished

DESCRIPTION

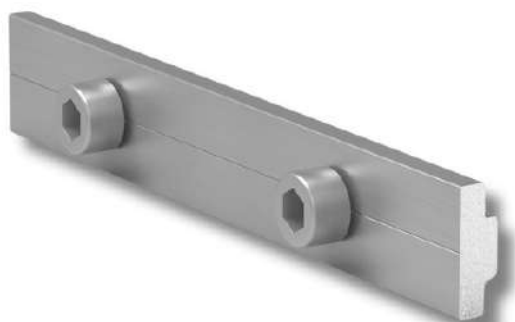
 Ses Connection Type "U",
46x22mm, For 40x40mm
Profiles, L= 110mm.

**CFT - 9037,
8937**
CODE

CNP-140-00

COLOR

 Aluminium, Mill
Finished

DESCRIPTION

 Ses Connection Type
"Np", For "Cs" And "C"
Series Profiles, L= 140mm.

CFT - 9039
CODE

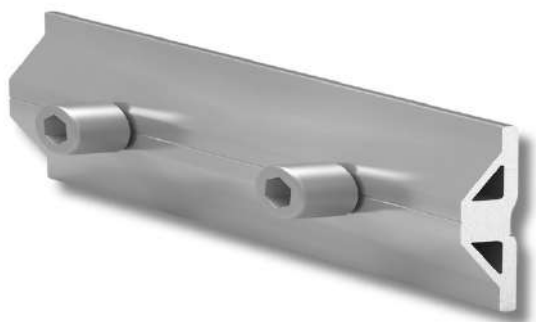
C2275T-140-00

COLOR

 Aluminium, Mill
Finished

DESCRIPTION

 Ses Connection Type "T",
22,6x7,5mm, For "Cs", "C",
"U", "H", "S" And "R" Series
Profiles, L= 140mm.

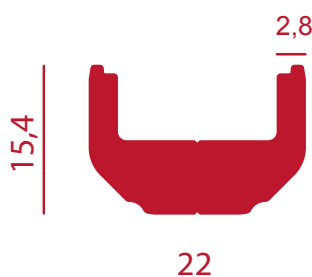


CFT - 9036

CODE
C498D-140-00

COLOR
Aluminium, Mill
Finished

DESCRIPTION
Ses Connection Type "D",
49x8mm, For "C" Series
Profiles, L= 140mm,

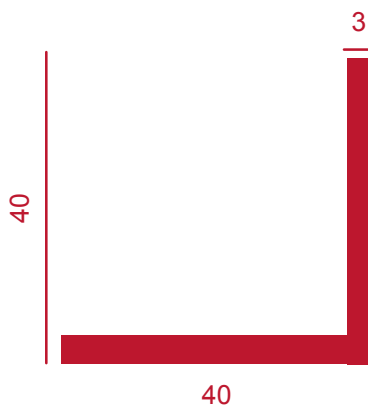


CFT - 9038

CODE
C2215C-140-00

COLOR
Aluminium, Mill
Finished

DESCRIPTION
Ses Connection Type "C",
22x15,4mm, For "Cs" And
"C" Series Profiles, L=
140mm,

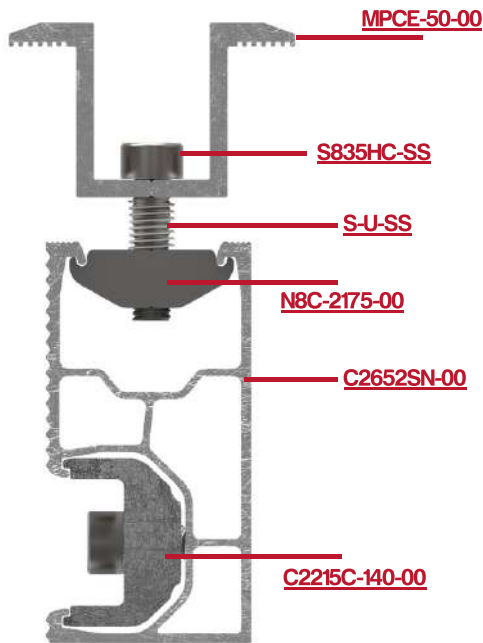


CFT - 8981

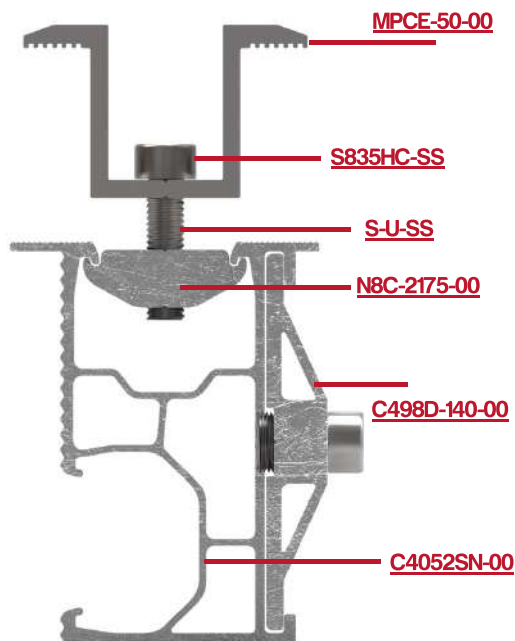
CODE
C4040L-140-00

COLOR
Aluminium, Mill
Finished

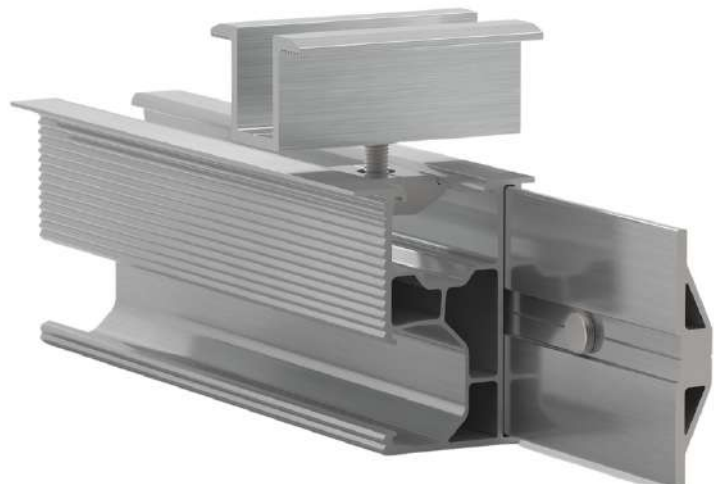
DESCRIPTION
Ses Connection Type "L",
40x40mm, For "Cs", "C",
"U", "H", "S" And "R" Se-
ries Profiles, L=140mm,



**'C' SERIES PROFILE ASSEMBLE
WITH CONNECTION TYPE
'C' - SECTION**

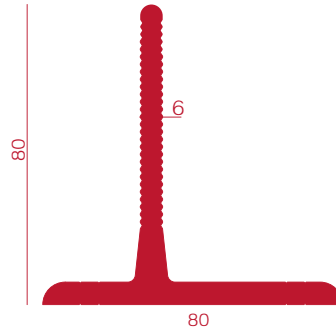


**'D' SERIES PROFILE ASSEMBLE
WITH CONNECTION TYPE
'D' - SECTION**



Mounting Accessories




CFT-8968
CODE

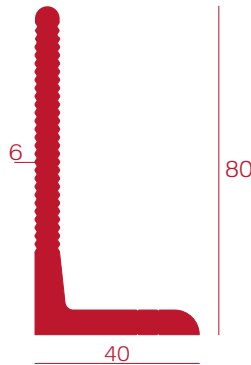
SP8080T-00

COLOR

Aluminium, Mill Finished

DESCRIPTION

Ses Support Type "T", 80x80mm, For Side/Under Connection, L=40MM


CFT-8967
CODE

SP4080L-00

COLOR

Aluminium, Mill Finished

DESCRIPTION

Ses Support Type "L", 40x80mm, For Side Connection, L=40mm


CODE

SP8030P-SS

COLOR

Stainless Steel 304

DESCRIPTION

Ses Support Type "P", 80x30mm, For Under Connection.


CODE

SP808030L-SS

COLOR

Stainless Steel 304

DESCRIPTION

Ses Support Type "L", 80x80x30mm, For Side/Under Connection.



CODE
SP-TR2A-SS

COLOR
Stainless Steel
304

DESCRIPTION
Ses Tile Roof Support,
2 Adjustments



CODE
SP-TRH3A-SS

COLOR
Stainless Steel
304

DESCRIPTION
Ses Sandwich Roof
Support With Hook,
3 Adjustments.



CODE
SP-SR1A-SS

COLOR
Stainless Steel
304

DESCRIPTION
Ses Sandwich Roof
Support, 1 Adjustment

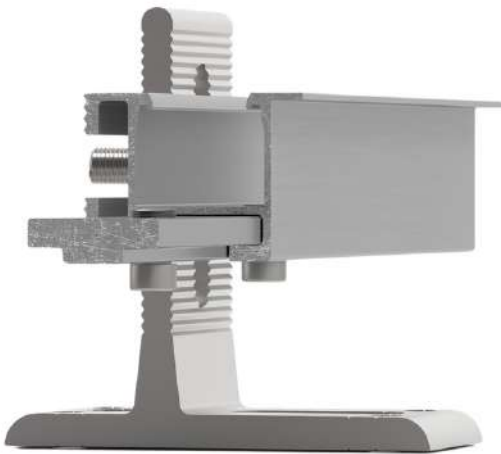
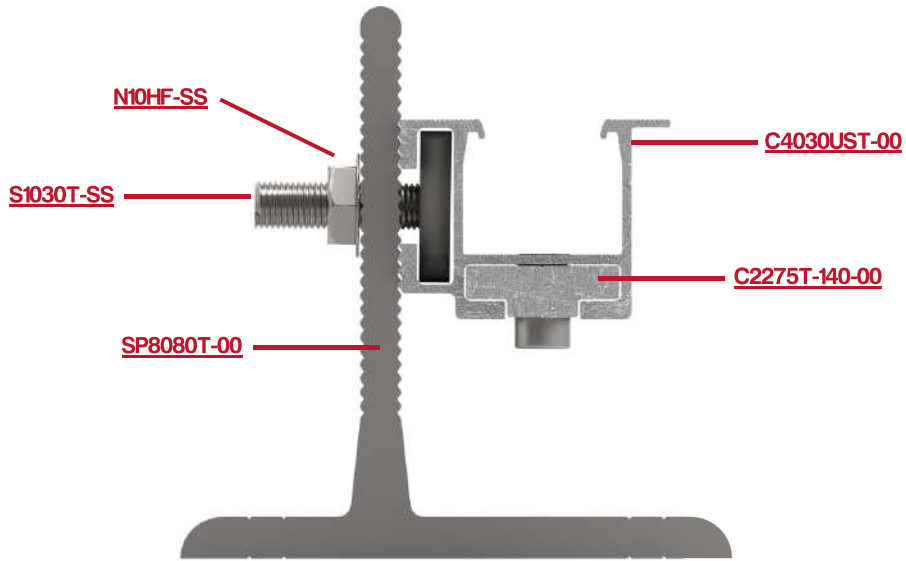


CODE
SP-SR2A-SS

COLOR
Stainless Steel
304

DESCRIPTION
Ses Sandwich Roof
Support With Hook,
2 Adjustments.

**'C' SERIES PROFILE ASSEMBLE
WITH CONNECTION TYPE 'T'
AND SUPPORT TYPE 'T' - SECTION**



Fastening Accessories





CODE
HB10200-SS

COLOR
Stainless Steel
304

DESCRIPTION
Ses Hanger bolt
M10X200mm



CODE
HB10250-SS

COLOR
Stainless Steel
304

DESCRIPTION
Ses Hanger bolt
M10X250mm



CODE
HB10300-SS

COLOR
Stainless Steel
304

DESCRIPTION
Ses Hanger bolt
M10X300mm



CODE
S1030T-SS

COLOR
Stainless Steel (DIN933)
(A2-70) 304

DESCRIPTION
SES T-BOLT SCREW,
M10X30MM



CODE
S1030H-SS

COLOR
Stainless Steel (DIN933)
(A2-70) 304

DESCRIPTION
Ses Hexagonal Screw,
M10x30mm



CODE
N10HF-SS

COLOR
Stainless Steel
304

DESCRIPTION
Ses Hexagonal Nuts With
Flange, M10



CODE
W10G-SS

COLOR
Stainless Steel (DIN127-B)
(A2-70) 304

DESCRIPTION
Ses Washer Grower,
M10



CODE
S816HC-SS

COLOR
Stainless Steel (Din912)
(A2-70) (304)

DESCRIPTION
Ses Hexagon Cylindrical
Screw, M8x16mm



CODE
S825HC-SS

COLOR
Stainless Steel (Din912)
(A2-70) (304)

DESCRIPTION
Ses Hexagon Cylindrical
Screw, M8x25mm



CODE
S830HC-SS

COLOR
Stainless Steel (Din912)
(A2-70) (304)

DESCRIPTION
Ses Hexagon Cylindrical
Screw, M8x30mm



CODE
S835HC-SS

COLOR
Stainless Steel (Din912)
(A2-70) (304)

DESCRIPTION
Ses Hexagon Cylindrical
Screw, M8x35mm



CODE
S840HC-SS

COLOR
Stainless Steel (Din912)
(A2-70) (304)

DESCRIPTION
Ses Hexagon Cylindrical
Screw, M8x40mm



CODE
S845HC-SS

COLOR
Stainless Steel (Din912)
(A2-70) (304)

DESCRIPTION
Ses Hexagon Cylindrical
Screw, M8x45mm



CODE
N8S-1313-SS

COLOR
Stainless Steel (Din557)
(A2-70) (304)

DESCRIPTION
Ses Square Nuts, M8,
13x13mm,



CODE
W8G-SS

COLOR
Stainless Steel (Din127-B)
(304)

DESCRIPTION
Ses Washer Grower,
M8

Other Accessories





CODE

CGL-SS

COLOR

Stainless Steel
304

DESCRIPTION

Ses Clamps For
Grounding Lug
Photovoltaic Support



CODE

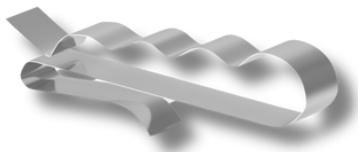
EPG-4040-SS

COLOR

Stainless Steel
304

DESCRIPTION

Ses Earth Plate
Grounding For
Solar Panel



CODE

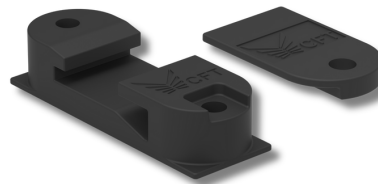
SP-C4C-SS

COLOR

Stainless Steel
304

DESCRIPTION

Ses Solar Panel Cable
Clamps (4 Cables)



CODE

SP-2572C-20

COLOR

Block Pvc

DESCRIPTION

Ses Pvc Support
25x72,5 Mm For
Under Connection



CODE

S-U-SS

COLOR

Stainless Steel
304

DESCRIPTION

Ses Spring Type "U",
11,7x40x0,8mm



CODE

S-URS-SS

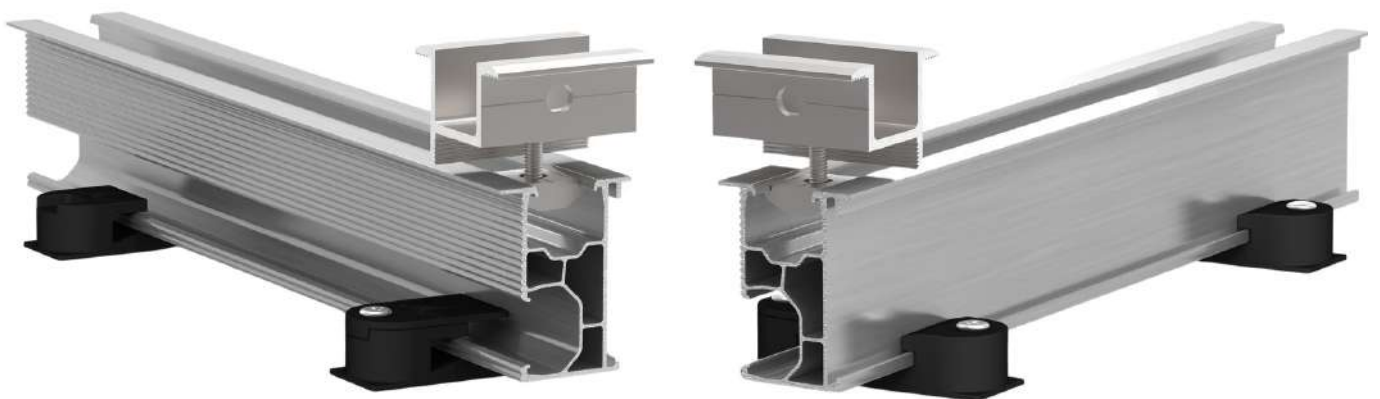
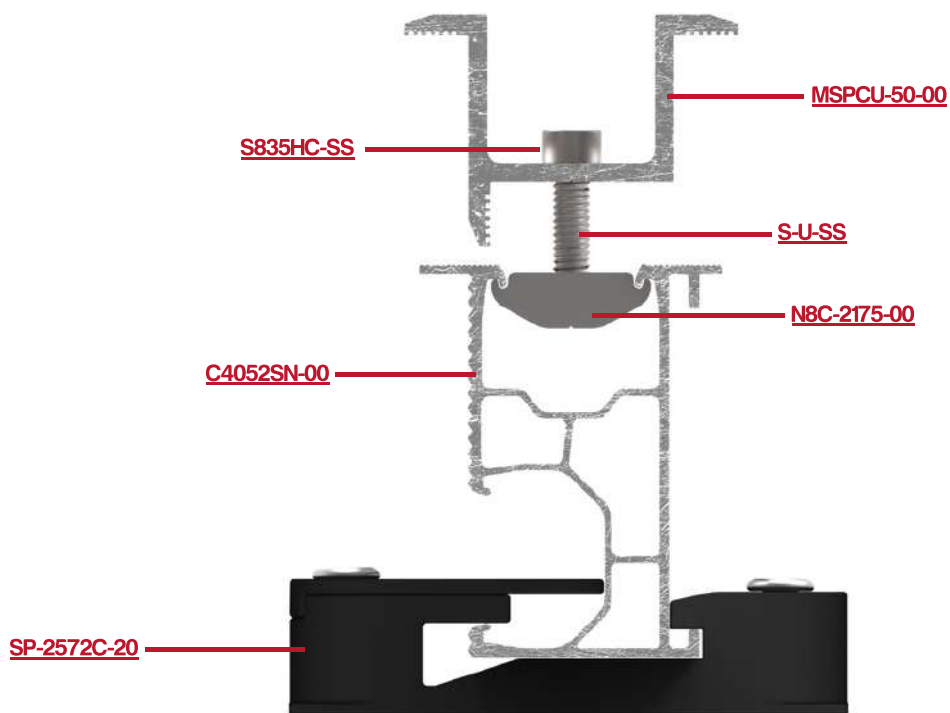
COLOR

Stainless Steel
304

DESCRIPTION

Ses Spring Type
"Urs", 9,8x27x0,6mm

**'C' SERIES PROFILE ASSEMBLE
WITH PVC SUPPORT - SECTION**





**Changing The World
Through Innovated Ideas**

Changing The World
Through Innovated Ideas



COMFORTEX ALUMINYUM
CAM SANAYI DIS TIC. LTD. STI.
Contact Us

Merkez Mahallesi
Seckin Sokak Dap
Z Ofis No:2/4a
Iç Kapi 34 Kagithane
Istanbul/Turkiye

info@comfortex.com.tr
www.comfortex.com.tr

+90 554 374 74 74
+90 554 674 74 74



COMFORTEX ENERGY SRL

Contact Us

Strada Bucureşti Nr.60,
Comuna Frumuşani,
Judeţul Calarasi.

contact@comfortex-energy.ro
www.comfortex-energy.ro

+40 725 8668 686
+40 729 8668 686

